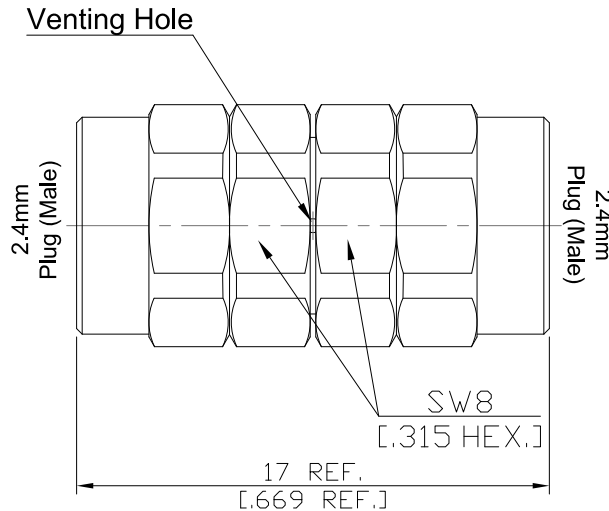


TVAC 2.4mm Plug (Male) to 2.4mm Plug (Male), Straight Adapter,
DC-50 GHz, VSWR 1.3

VH-AD-Q1Q15A / 9XX-9XX



All dimensions are in mm [inch]
Tolerances according to DIN ISO 2768-mH

Interface

According to IEC 61169-40; IEEE Std 287; MIL-STD-348B/324
Mechanically compatible with 1.85mm

Electrical Data

Impedance 50 Ω
Frequency DC to 50 GHz
VSWR (Return Loss) ≤ 1.30 (≥ 17.69 dB)
Insertion Loss ≤ 0.05 x √F (GHz) dB
Insulation Resistance ≥ 5 GΩ
Test Voltage (at sea level) 500 V rms
Working Voltage (at sea level) 150 V rms
RF Leakage ≥ 100 dB up to 1 GHz
Power Handling 16W

-Vacuum Vented Construction for Thermal Vacuum Applications-

Material And Plating

Piece Parts (2.4mm)	Material	Plating
Centre Contact	Beryllium Copper	Gold plating (Non-magnetic nickel-phosphorus underplating)
Body	Stainless Steel	Passivated
Insulator	PEI	
Coupling Nut	Stainless Steel	Passivated
Piece Parts (2.4mm)	Material	Plating
Centre Contact	Beryllium Copper	Gold plating (Non-magnetic nickel-phosphorus underplating)
Body	Stainless Steel	Passivated
Insulator	PEI	
Coupling Nut	Stainless Steel	Passivated

TVAC 2.4mm Plug (Male) to 2.4mm Plug (Male), Straight Adapter,
DC-50 GHz, VSWR 1.3

VH-AD-Q1Q15A / 9XX-9XX

Mechanical Data

Coupling mechanisms	Screw-On
Mating Cycles	≥ 500
Center Contact Captivation: axial	≥ 20 N
Coupling Test Torque	1.65 Nm max.
Recommended Torque	0.80 Nm to 1.10 Nm

Environmental Data

Temperature Range	-65°C to +165°C
Thermal shock	IEC 61169-1, Subclause 9.4.4
Corrosion	IEC 61169-1, Subclause 9.4.6
Vibration	IEC 61169-1, Subclause 9.3.3
Shock	IEC 61169-1, Subclause 9.3.14
Moisture Resistance	IEC 61169-1, Subclause 9.4.3
Low outgassing	TML ≤ 1.0%, CVCM ≤ 0.1%
Vacuum Pressure	≤ 1 × 10 ⁻⁵ Torr
RoHS	compliant

Packing

Single or 100