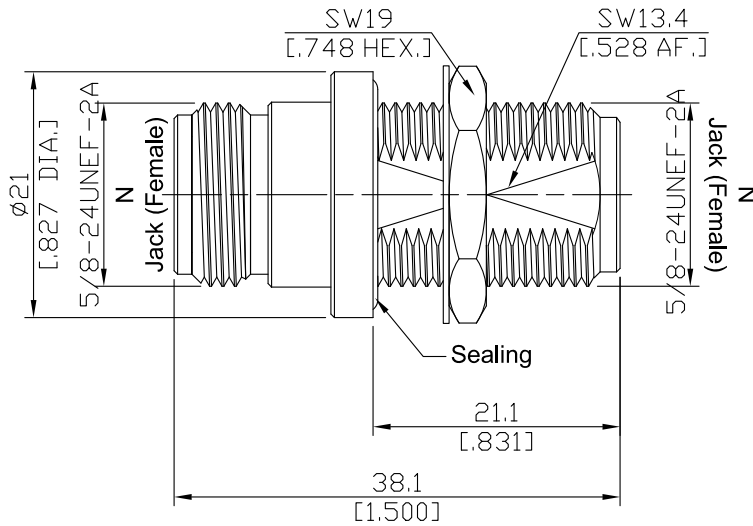
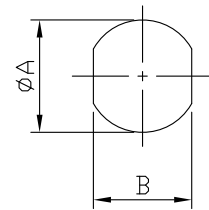


Hermetically Sealed N Jack (Female) to N Jack (Female) Bulkhead Adapter,
Glass Seal, DC-11 GHz, VSWR 1.5

ADH-N2N25A-BHS / 94-94



Mounting Dimension



	mm		inch	
	Max.	Min.	Max.	Min.
A	16.1	16	.634	.630
B	13.7	13.6	.539	.535

All dimensions are in mm [inch]

Tolerances according to DIN ISO 2768-mH

Interface

According to

IEC 60169-16; MIL-STD-348B/304; CECC 22210; MIL-PRF-39012

Electrical Data

Impedance	50 Ω
Frequency	DC to 11GHz
VSWR (Return Loss)	≤ 1.50 (≥ 13.98 dB)
Insertion Loss	$\leq 0.1 \times \sqrt{F}$ (GHz) dB
Insulation resistance	≥ 5 G Ω
Center contact resistance	≤ 1 m Ω
Outer contact resistance	≤ 0.25 m Ω
Working voltage	500 V rms
Power handling (at 20 °C, sea level, VSWR 1.0)	1000 W @ 1 GHz
RF-leakage	≥ 128 dB @ DC to 1 GHz

700 W @ 2 GHz

Material And Plating

Piece Parts (N)	Material	Plating
Centre contact	Beryllium Copper	Gold plating (Non-magnetic nickel-phosphorus underplating)
Body	Brass	Copper-Tin-Zinc Alloy
Insulator	PTFE	
Gasket	Silicone Rubber	
Fastening nut	Brass	Copper-Tin-Zinc Alloy
Washer	Brass	Copper-Tin-Zinc Alloy
Piece Parts (N)	Material	Plating
Centre contact	Beryllium Copper	Gold plating (Non-magnetic nickel-phosphorus underplating)
Body	Brass	Copper-Tin-Zinc Alloy
Insulator	PTFE	

Hermetically Sealed N Jack (Female) to N Jack (Female) Bulkhead Adapter,
Glass Seal, DC-11 GHz, VSWR 1.5

ADH-N2N25A-BHS / 94-94

Mechanical Data

Coupling mechanisms	Screw-lock
Mating cycles	≥ 500
Center contact captivation: axial	≥ 28 N
Coupling test torque	≤ 1.7 Nm
Recommended torque	1.0 Nm

Environmental Data

Temperature Range	-65°C to +165°C
Thermal shock	MIL-STD-202, Meth. 107, Cond. B
Corrosion	MIL-STD-202, Meth. 101, Cond. B
Vibration	MIL-STD-202, Meth. 204, Cond. B
Shock	MIL-STD-202, Meth. 213, Cond. I
Moisture resistance	MIL-STD-202, Method 106
Hermeticity	≤ 10 ⁻⁸ mbar x l/s
RoHS	compliant

Packing

Single or 100