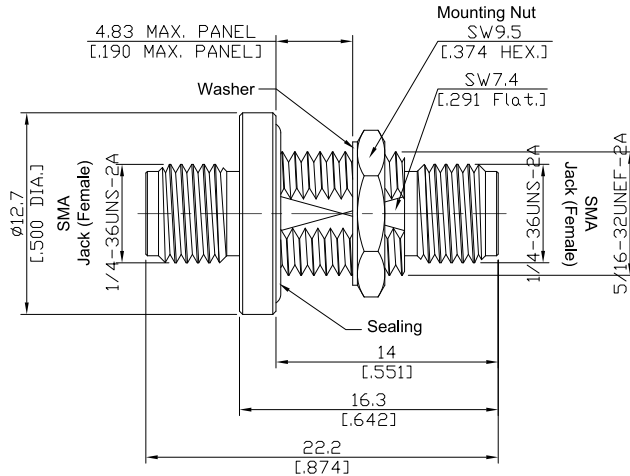
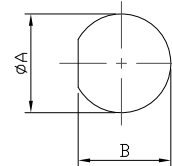


Hermetically Sealed SMA Jack (Female) to SMA Jack (Female) Bulkhead Mount Adapter, DC - 18 GHz, VSWR 1.4

ADH-A2A25A-BHS / 99-99



Mounting Dimension



	mm		inch	
	Max.	Min.	Max.	Min.
A	8.0	7.9	.315	.311
B	7.6	7.5	.299	.295

All dimensions are in mm [inch]

Tolerances according to DIN ISO 2768-mH

Interface

According to

IEC 60169-15; CECC 22110; MIL-PRF-39012; MIL-STD-348B/310; EN 122110

Electrical Data

Impedance	50 Ω
Frequency	DC to 18 GHz
VSWR (Return Loss)	≤ 1.40 (≥ 15.56 dB)
Insertion Loss	$\leq 0.05 \times \sqrt{F}$ (GHz) dB
Insulation resistance	≥ 5 G Ω
Center contact resistance	≤ 3 m Ω
Outer contact resistance	≤ 2 m Ω
Test voltage	1000 V rms
Working voltage	480 V rms
Power handling	≤ 200 W @ 2 GHz
RF-leakage	≥ 100 dB up to 1 GHz

Material And Plating

Piece Parts (SMA)	Material	Plating
Centre Contact	Beryllium Copper	Gold plating (Non-magnetic nickel-phosphorus underplating)
Body	Brass	Gold plating (Non-magnetic nickel-phosphorus underplating)
Insulator	PTFE	
Gasket	Silicone Rubber	
Fastening Nut	Brass	Gold plating (Non-magnetic nickel-phosphorus underplating)
Washer	Brass	Gold plating (Non-magnetic nickel-phosphorus underplating)
Glass seal	Glass	
Piece Parts (SMA)	Material	Plating
Centre Contact	Beryllium Copper	Gold plating (Non-magnetic nickel-phosphorus underplating)
Body	Brass	Gold plating (Non-magnetic nickel-phosphorus underplating)
Insulator	PTFE	

The facts and figures herein are carefully compiled to the best of our knowledge, but they are intended for general informational purposes only. In the effort to improve our products, we reserve the right to make changes judged to be necessary.

Rev.:
Date:
JUN/12/2026

Rosnol RF/Microwave Technology Co., Ltd.
www.rosnol.com; info@rosnol.com
Phone: +886-3-463-5095 / Fax: +886-3-463-5952
N-CAGE Code: SFKK0 / ISO9001 Certified

Hermetically Sealed SMA Jack (Female) to SMA Jack (Female) Bulkhead Mount Adapter, DC - 18 GHz, VSWR 1.4

ADH-A2A25A-BHS / 99-99

Mechanical Data

Coupling mechanisms	Screw-On
Mating Cycles	≥ 500
Center Contact Captivation: axial	≥ 27 N
radial	≥ 3 Ncm
Coupling test torque	≤ 1.7 Nm
Recommended Torque	0.57 Nm

Environmental Data

Temperature Range	-55°C to +165°C
Thermal shock	MIL-STD-202, Method 107, Condition B
Corrosion	MIL-STD-202, Method 101, Condition B
Vibration	MIL-STD-202, Method 204, Condition D
Shock	MIL-STD-202, Method 213, Condition I
Moisture Resistance	MIL-STD-202, Method 106
RoHS	compliant
Hermetic seal: leak rate	≤ 1x10E-8 SCC/Sec of helium under pressure differential of 15PSIG

Packing

Single or 100