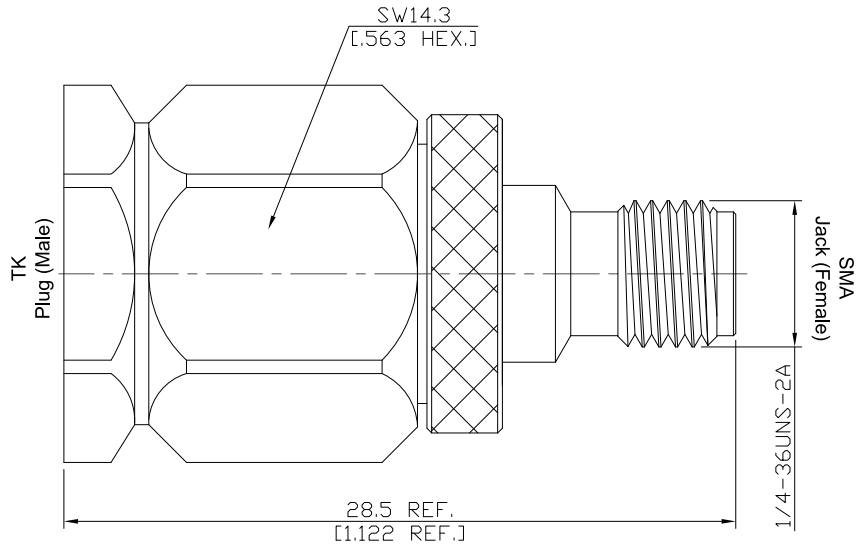


TK Plug (Male) to SMA Jack (Female) Straight Adapter, DC - 18 GHz, VSWR 1.30

AD-TK1A25A / 9XX-9X



All dimensions are in mm [inch]

Tolerances according to DIN ISO 2768-mH

Interface

TK side According to

MIL-STD-348B/329

SMA side According to

IEC 60169-15; CECC 22110; MIL-PRF-39012; MIL-STD-348B/310; EN 122110

Electrical Data

Impedance

50 Ω

Frequency

DC to 18 GHz

VSWR (Return Loss)

≤ 1.3 (≥ 17.69 dB)

Insertion Loss

≤ 0.05 x √F (GHz) dB

Insulation resistance

≥ 5 GΩ

Material And Plating

Piece Parts (TK)	Material	Plating
Centre contact	Beryllium Copper	Gold plating (Non-magnetic nickel-phosphorus underplating)
Body	Stainless Steel	Passivated
Insulator	PTFE	
Gasket	Silicone Rubber	
Coupling nut	Stainless Steel	Passivated
Piece Parts (SMA)	Material	Plating
Centre contact	Beryllium Copper	Gold plating (Non-magnetic nickel-phosphorus underplating)
Body	Stainless Steel	Passivated
Insulator	PTFE	

TK Plug (Male) to SMA Jack (Female) Straight Adapter, DC - 18 GHz, VSWR 1.30

AD-TK1A25A / 9XX-9X

Mechanical Data

	TK Side	SMA Side
Coupling mechanisms	Screw-On	Screw-On
Mating Cycles	min. 500	min. 500
Center contact captivation: axial	≥ 27 N	≥ 27 N
Coupling test torque	N/A	max. 1.7 Nm
Recommended torque	N/A	0.8 Nm to 1.1 Nm

Environmental Data

Temperature Range	-65°C to +165°C
RoHS	compliant

Packing

Single or 100