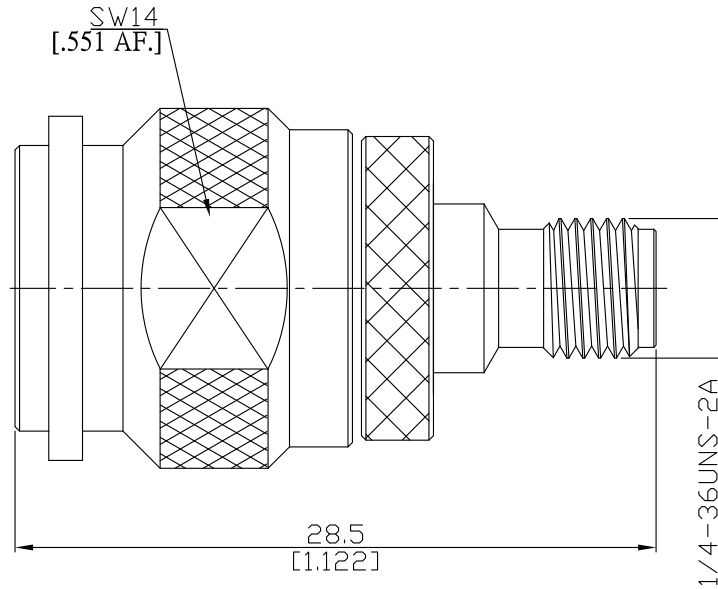


TNC R/P plug (male) / SMA R/P jack (female)  
Adapter DC-18 GHz VSWR1.30

**AD-T5A75A / H44-H1**



All dimensions are in mm [inch]

Tolerances according to DIN ISO 2768-mH

**Interface**

TNC side according to

IEC 60169-26; MIL-STD-348B/313

SMA side according to

IEC 60169-15; MIL-STD-348B/310

**Electrical Data**

Impedance

50 Ω

Frequency

DC to 18 GHz

VSWR (Return Loss)

≤ 1.30 (≥ 17.69 dB)

Insertion Loss

≤ 0.1 x √F (GHz) dB

Insulation resistance

≥ 5 GΩ

Center contact resistance

≤ 1.5 mΩ, R/P TNC side;

≤ 3 mΩ, R/P SMA side

Outer contact resistance

≤ 1 mΩ, R/P TNC side;

≤ 2 mΩ, R/P SMA side

Test voltage

1000 V rms

Working voltage

480 V rms

Power handling

≤ 80 W @ 2 GHz

**Material And Plating**

Piece Parts (TNC)	Material	Plating
Centre contact	Phosphor Bronze	Gold plating, 3 μinch (Non-magnetic nickel-phosphorus underplating, 80 μinch)
Body	Brass	Copper-Tin-Zinc Alloy
Insulator	PTFE	
Gasket	Silicone Rubber	
Coupling nut	Brass	Copper-Tin-Zinc Alloy
Piece Parts (SMA)	Material	Plating
Centre contact	Phosphor Bronze	Gold plating, 3 μinch (Non-magnetic nickel-phosphorus underplating, 80 μinch)
Body	Brass	Copper-Tin-Zinc Alloy
Insulator	PTFE	

TNC R/P plug (male) / SMA R/P jack (female)  
Adapter DC-18 GHz VSWR1.30

**AD-T5A75A / H44-H4**

**Mechanical Data**

	TNC R/P Side	SMA Side
Coupling mechanisms	Screw-lock	Screw-lock
Mating Cycles	min. 500	min. 500
Coupling nut retention	N/A	≥ 270 N
Center contact captivation: axial	≥ 28 N	≥ 27 N
Coupling test torque	max. 1.7 Nm	max. 1.7 Nm
Recommended torque	0.46 Nm to 0.69 Nm	0.8 Nm to 1.1 Nm

**Environmental Data**

Temperature Range	-65°C to +165°C
Thermal shock	MIL-STD-202, Meth. 107, Cond. B
Corrosion	MIL-STD-202, Meth. 101, Cond. B
Vibration	MIL-STD-202, Meth. 204, Cond. D
Shock	MIL-STD-202, Meth. 213, Cond. I
Moisture resistance	MIL-STD-202, Meth. 106
RoHS	compliant

**Packing**

Single or 100