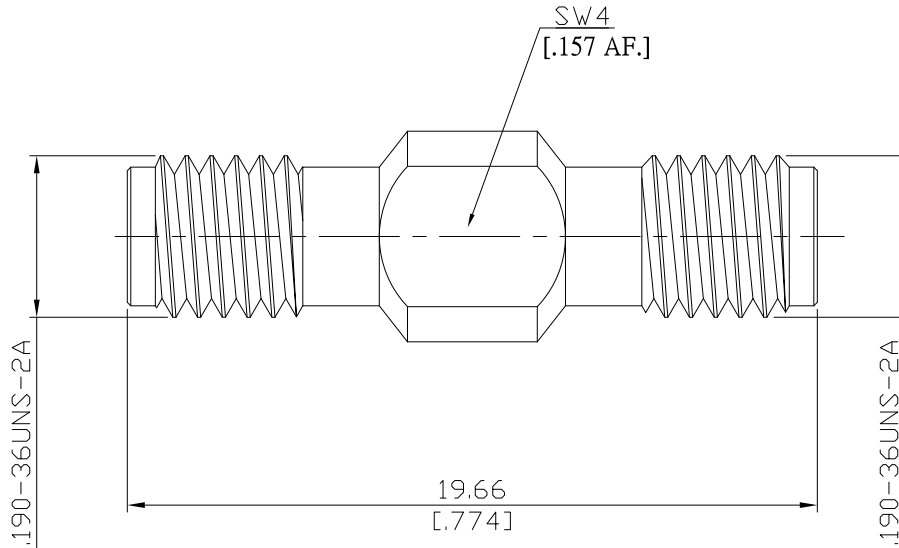


SSMA jack (female) / SSMA jack (female) Straight Adaptor
DC-18 GHz, VSWR ≤ 1.20

AD-SA2SA25B / 91-91



All dimensions are in mm [inch]

Tolerances according to DIN ISO 2768-mH

Interface

according to

IEC 60169-15; MIL-STD-348B/319

Electrical Data

Impedance	50 Ω
Frequency	DC to 18 GHz
VSWR (Return Loss)	≤ 1.20 (≥ 20.83 dB)
Insertion Loss	≤ 0.05 × √F (GHz) dB
Insulation resistance	≥ 5 GΩ
Center contact resistance	≤ 3 mΩ
Outer contact resistance	≤ 2 mΩ
Test voltage	1000 V rms
Working voltage	480 V rms
Power handling	≤ 200 W @ 2 GHz
RF-leakage	≥ 100 dB up to 1 GHz

Material And Plating

Piece Parts (SSMA)	Material	Plating
Centre contact	Beryllium Copper	Gold plating, 3 μinch (Non-magnetic nickel-phosphorus underplating, 80 μinch)
Body	Brass	Gold plating, 3 μinch (Non-magnetic nickel-phosphorus underplating, 80 μinch)
Insulator	PTFE	
Piece Parts (SSMA)	Material	Plating
Centre contact	Beryllium Copper	Gold plating, 3 μinch (Non-magnetic nickel-phosphorus underplating, 80 μinch)
Body	Brass	Gold plating, 3 μinch (Non-magnetic nickel-phosphorus underplating, 80 μinch)
Insulator	PTFE	

SSMA jack (female) / SSMA jack (female) Straight Adaptor
DC-18 GHz, VSWR ≤ 1.22

AD-SA2SA25B / 91-91

Mechanical Data

Coupling mechanisms	Screw-lock
Mating cycles	≥ 500
Center contact captivation: axial	≥ 27 N
radial	≥ 3 Ncm
Coupling test torque	≤ 1.7 Nm
Recommended torque	0.8 Nm to 1.1 Nm

Environmental Data

Temperature Range	-65°C to +155°C
Thermal shock	MIL-STD-202, Method 107, Condition B
Corrosion	MIL-STD-202, Method 101, Condition B
Vibration	MIL-STD-202, Method 204, Condition D
Shock	MIL-STD-202, Method 213, Condition I
Moisture resistance	MIL-STD-202, Method 106
RoHS	compliant

Packing

Singleor 100