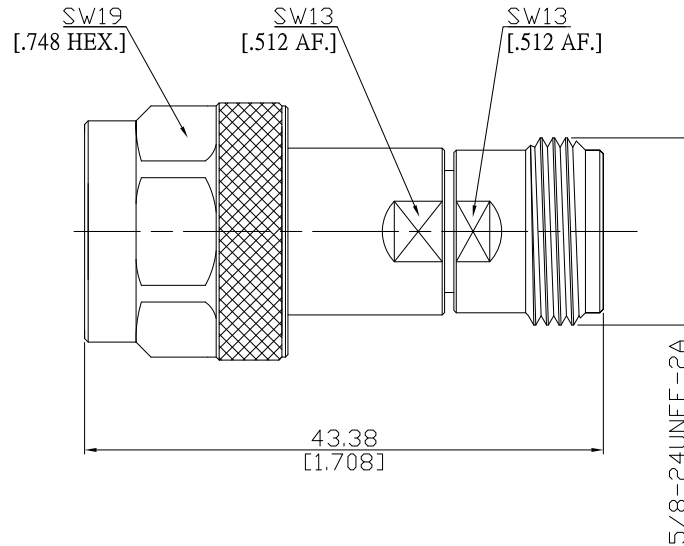


Precision N Plug (Male) to Precision N Jack (Female) Adapter

AD-PCN1PCN25A/911-9X



All dimensions are in mm [inch]
Tolerances according to DIN ISO 2768-mH

Interface

According to IEC 61169-16; MIL-STD 348A/402; IEEE Std 287

Electrical Data

Impedance 50 Ω
Frequency DC to 18 GHz
VSWR (Return Loss) ≤ 1.15 (≥ 23.13 dB)
Insertion Loss ≤ 0.05 x √F (GHz) dB

Mechanical Data

Coupling mechanisms Screw-lock
Weight 0.0569 kg

Environmental Data

Temperature range -60°C to +100°C
RoHS compliant

Material And Plating

Piece Parts (Precision N)	Material	Plating
Centre contact	Beryllium Copper	Gold plating(Nickel underplated)
Body	Brass	Gold plating(Nickel underplated)
Insulator	PS	
Coupling nut	Brass	Gold plating(Nickel underplated)

Piece Parts (Precision N)	Material	Plating
Centre contact	Beryllium Copper	Gold plating(Nickel underplated)
Body	Stainless Steel	Passivated
Insulator	PS	

Packing

Single or 100