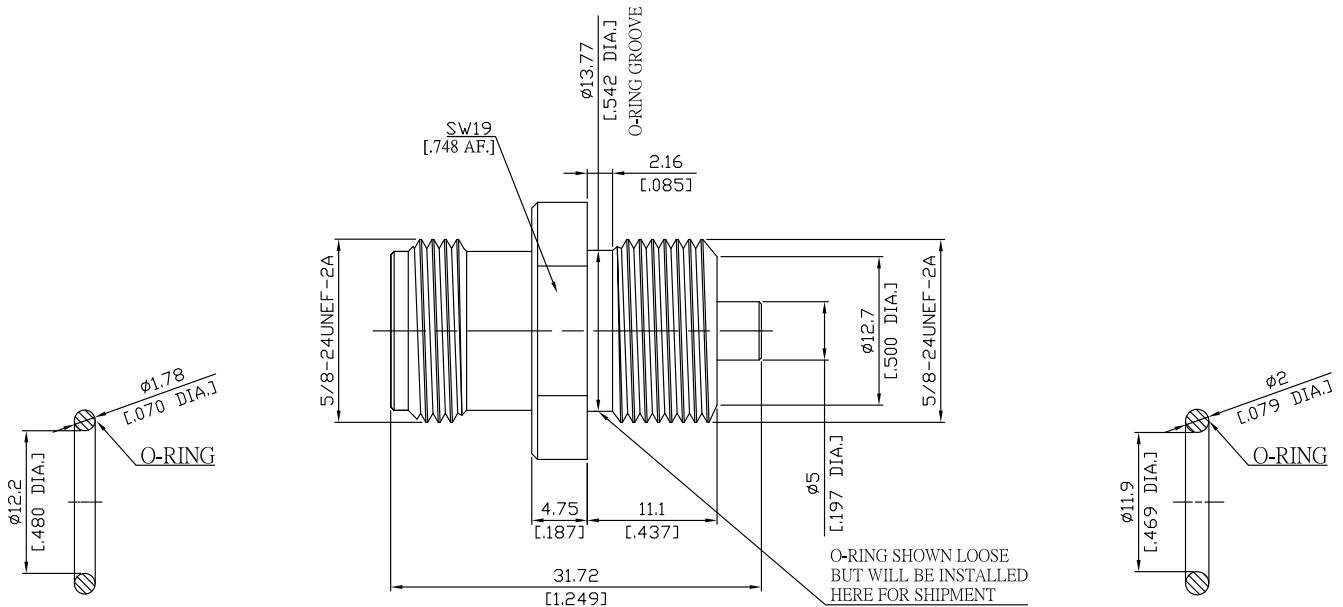


N jack (female) / MCX jack (female) Bulkhead adaptor  
DC-6GHz VSWR ≤ 1.20

**AD-N2M25A-BH / 94-94**



All dimensions are in mm [inch]  
Tolerances according to DIN ISO 2768-mH

**Interface**

N according to IEC 61169-16; CECC 22210; MIL-C-39012; MIL-STD-348A/304  
MCX according to IEC 61169-36; CECC 22220

**Electrical Data**

Impedance	50 Ω	
Frequency	DC to 6 GHz	
VSWR (Return Loss)	≤ 1.20 (≥ 20.8 dB)	
Insertion Loss	≤ 0.05 × √F (GHz) dB	
Insulation resistance	≥ 1 GΩ	
Center contact resistance	≤ 5.0 mΩ, MCX side;	≤ 1 mΩ, N side
Outer contact resistance	≤ 2.5 mΩ, MCX side;	≤ 0.25 mΩ, N side
Test voltage	750 V rms	
Working voltage	335 V rms	
Contact Current	1.5A DC max.	

**Material And Plating**

Piece Parts (N)	Material	Plating
Centre contact	Beryllium Copper	Gold plating, 3 μinch (Non-magnetic nickel-phosphorus underplating, 80 μinch)
Body	Brass	Copper-Tin-Zinc Alloy
Insulator	PTFE	
Piece Parts (MCX)	Material	Plating
Centre contact	Beryllium Copper	Gold plating, 3 μinch (Non-magnetic nickel-phosphorus underplating, 80 μinch)
Body	Brass	Copper-Tin-Zinc Alloy
Insulator	PTFE	

The facts and figures herein are carefully compiled to the best of our knowledge, but they are intended for general informational purposes only. In the effort to improve our products, we reserve the right to make changes judged to be necessary.

Rev.:-	Rosnol RF/Microwave Technology Co., Ltd. www.rosnol.com; info@rosnol.com
Date: JUL/16/2021	Phone: +886-3-463-5095 / Fax: +886-3-463-5952 N-CAGE Code: SFKKO / ISO9001 Certified

N jack (female) / MCX jack (female) Bulkhead adaptor  
DC-6GHz VSWR ≤ 1.20

**AD-N2M25A-BH / 94-94**

**Mechanical Data**

	N side	MCX side
Coupling mechanisms	Screw-lock	Snap-lock
Mating cycles	min. 500	≥ 500
Center contact captivation: axial	≥ 28 N	≥ 28 N
Engagement force	N/A	≤ 25 N
Disengagement force	N/A	8 N min. to 20 N max.
Coupling test torque	max. 1.7 Nm	N/A
Recommended torque	0.7 Nm to 1.1 Nm	N/A

**Environmental Data**

Temperature Range	-55°C to +155°C
Thermal shock	CECC 22 220, Chapter 4.6.7
Vibration	CECC 22 220, Chapter 4.6.3
Corrosion	CECC 22 220, Chapter 4.6.10
Moisture resistance	CECC 22 220, Chapter 4.6.6
RoHS	compliant

**Packing**

Single or 100

**Related Document**

Mounting Dimension MD114