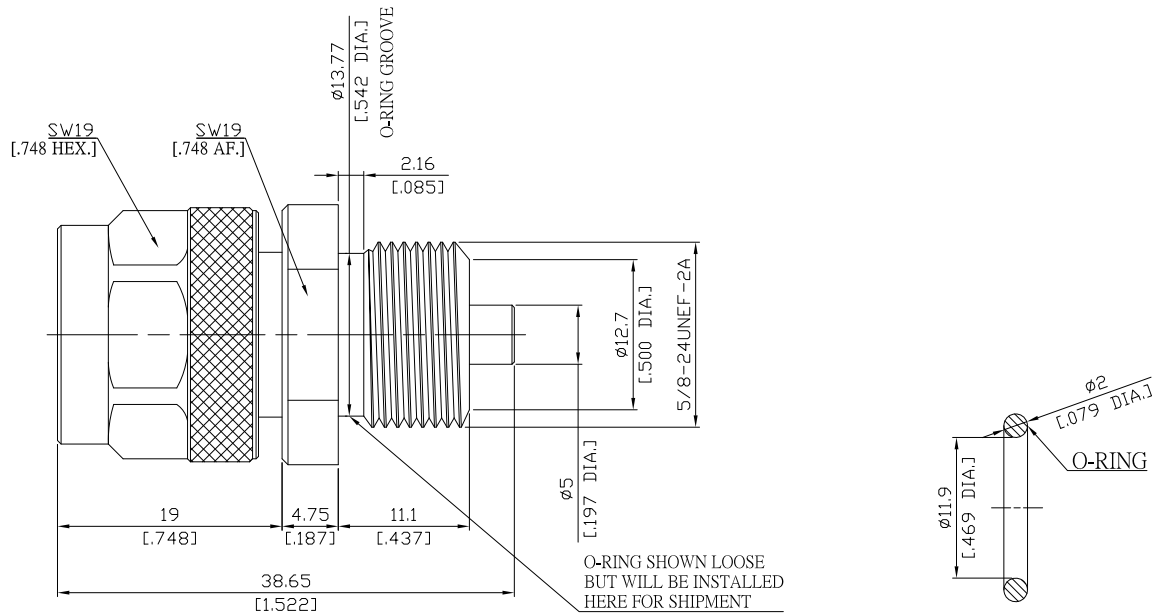


N plug (male) / MCX jack (female) Bulkhead adaptor
DC-6GHz VSWR ≤ 1.20

AD-N1M25A-BH / 944-94



All dimensions are in mm [inch]
Tolerances according to DIN ISO 2768-mH

Interface

N according to IEC 61169-16; CECC 22210; MIL-C-39012; MIL-STD-348B/304
MCX according to IEC 61169-36; CECC 22220

Electrical Data

Impedance	50 Ω	
Frequency	DC to 6 GHz	
VSWR (Return Loss)	≤ 1.20 (≥ 20.8 dB)	
Insertion Loss	≤ 0.05 x √F (GHz) dB	
Insulation resistance	≥ 1 GΩ	
Center contact resistance	≤ 5.0 mΩ, MCX side	≤ 1 mΩ, N side
Outer contact resistance	≤ 2.5 mΩ, MCX side	≤ 0.25 mΩ, N side
Test voltage	750 V rms	
Working voltage	335 V rms	
Contact Current	1.5A DC max.	

Material And Plating

Piece Parts (N)	Material	Plating
Centre contact	Beryllium Copper	Gold plating, 3 μinch (Non-magnetic nickel-phosphorus underplating, 80 μinch)
Body	Brass	Copper-Tin-Zinc Alloy
Insulator	PTFE	
Gasket	Silicone Rubber	
Coupling nut	Brass	Copper-Tin-Zinc Alloy
Piece Parts (MCX)	Material	Plating
Centre contact	Beryllium Copper	Gold plating, 3 μinch (Non-magnetic nickel-phosphorus underplating, 80 μinch)
Body	Brass	Copper-Tin-Zinc Alloy
Insulator	PTFE	

The facts and figures herein are carefully compiled to the best of our knowledge, but they are intended for general informational purposes only. In the effort to improve our products, we reserve the right to make changes judged to be necessary.

Rev.:-	Rosnol RF/Microwave Technology Co., Ltd. www.rosnol.com; info@rosnol.com
Date:	Phone: +886-3-463-5095 / Fax: +886-3-463-5952
JUL/16/2021	N-CAGE Code: SFKK0 / ISO9001 Certified

N plug (male) / MCX jack (female) Bulkhead adaptor
DC-6GHz VSWR ≤ 1.20

AD-N1M25A-BH / 944-94

Mechanical Data

	MCX side	N side
Coupling mechanisms	Snap-lock	Screw-lock
Mating cycles	≥ 500	min. 500
Coupling nut retention	N/A	≥ 450 N
Center contact captivation: axial	≥ 28 N	≥ 28 N
Engagement force	≤ 25 N	N/A
Disengagement force	8 N min. to 20 N max.	N/A
Coupling test torque	N/A	max. 1.7 Nm
Recommended torque	N/A	0.7 Nm to 1.1 Nm

Environmental Data

Temperature Range	-55°C to +155°C
Thermal shock	CECC 22 220, Chapter 4.6.7
Vibration	CECC 22 220, Chapter 4.6.3
Corrosion	CECC 22 220, Chapter 4.6.10
Moisture resistance	CECC 22 220, Chapter 4.6.6
RoHS	compliant

Packing

Single or 100

Related Document

Mounting Dimension MD114