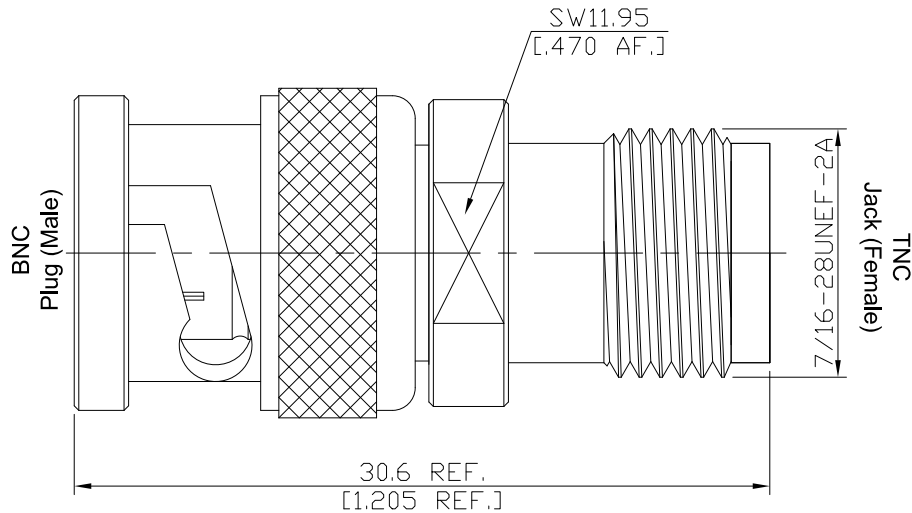


BNC Plug (Male) to TNC Jack (Female) Straight Adapter, DC-4 GHz, VSWR 1.20

**AD-B1T25A / 133-H3**



All dimensions are in mm [inch]

Tolerances according to DIN ISO 2768-mH

**Interface**

BNC side according to

IEC 61169-8; CECC 22120; MIL-PRF-39012; MIL-STD-348B/301; BS 9210 N 004

TNC side according to

IEC 61169-17; CECC 22200; MIL-PRF-39012; MIL-STD-348B/313; DIN EN 122200

**Electrical Data**

Impedance	50 Ω
Frequency	DC to 4 GHz
VSWR (Return Loss)	≤ 1.2 (≥ 20.83 dB)
Insertion Loss	≤ 0.05 x √F (GHz) dB
Center contact resistance	≤ 1.5 mΩ
Outer contact resistance	≤ 1 mΩ
Insulation resistance	≥ 5 GΩ
Test voltage	1500 V rms
Working voltage	400 V rms
Power handling (at 20 °C, sea level, VSWR 1.0)	≤ 80 W @ 2 GHz

**Material And Plating**

Piece Parts (BNC)	Material	Plating
Centre contact	Brass	Gold plating (Non-magnetic nickel-phosphorus underplating)
Body	Brass	Nickel
Insulator	PTFE	
Gasket	Silicone Rubber	
Coupling nut	Brass	Nickel
Piece Parts (TNC)	Material	Plating
Centre contact	Phosphor Bronze	Gold plating (Non-magnetic nickel-phosphorus underplating)
Body	Brass	Nickel
Insulator	PTFE	

BNC Plug (Male) to TNC Jack (Female) Straight Adapter, DC-4 GHz, VSWR 1.20

## AD-B1T25A / 133-H3

### Mechanical Data

	BNC side	TNC side
Coupling mechanisms	Bayonet-lock	Screw-On
Mating cycles	min. 500	min. 500
Center contact captivation: axial	≥ 15 N	≥ 15 N
Coupling test torque	N/A	max. 1.7 Nm
Recommended torque	N/A	0.46 Nm to 0.69 Nm

### Environmental Data

Temperature Range	-65°C to +165°C
Thermal shock	MIL-STD-202, Meth. 107, Cond. B
Corrosion	MIL-STD-202, Meth. 101, Cond. B
Vibration	MIL-STD-202, Meth. 204, Cond. B
Shock	MIL-STD-202, Meth. 213, Cond. G
Moisture resistance	MIL-STD-202, Meth. 106
RoHS	compliant

### Packing

Single or 100