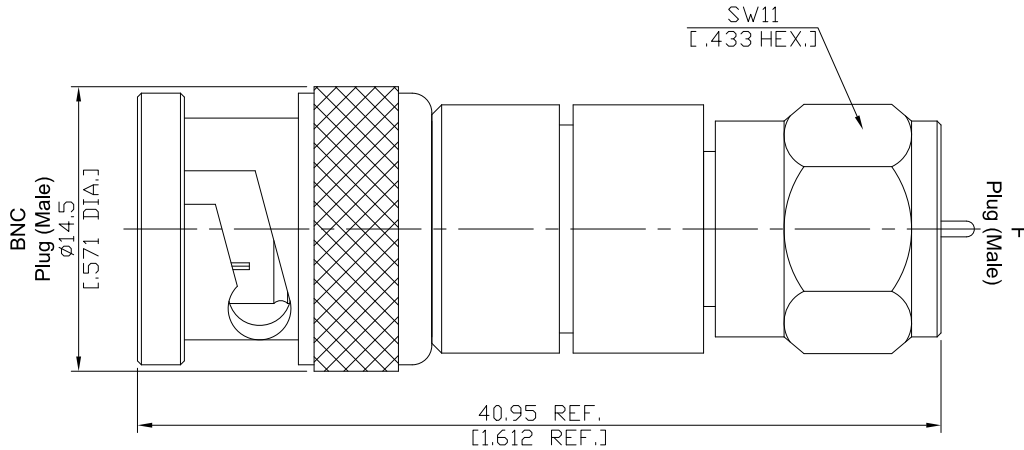


75Ω BNC Plug (Male) to 75Ω F Plug (Male) Straight Adapter,  
DC-3 GHz, VSWR 1.30

**AD-B1F17A / 144-144**



All dimensions are in mm [inch]  
Tolerances according to DIN ISO 2768-mH

**Interface**

BNC According to IEC 61169-8; CECC 22120; MIL-PRF-39012; MIL-STD-348B/301; BS 9210 N 004  
F According to IEC 61169-24; ANSI/SCTE 02

**Electrical Data**

Impedance	75 Ω	
Frequency	DC to 3 GHz	
VSWR (Return Loss)	≤ 1.30 (≥ 17.69 dB)	
Insertion Loss	≤ 0.25 x √F (GHz) dB	
Insulation resistance	≥ 5 GΩ	
Center contact resistance	≤ 1.5 mΩ, BNC side	≤ 5 mΩ, F side
Outer contact resistance	≤ 1 mΩ, BNC side	≤ 2.5 mΩ, F side
Test voltage	1500 V rms	
Working voltage	500 V rms	

**Material And Plating**

Piece Parts (BNC)	Material	Plating
Centre contact	Brass	Gold plating (Non-magnetic nickel-phosphorus underplating)
Body	Brass	Copper-Tin-Zinc Alloy
Insulator	PTFE	
Gasket	Silicone Rubber	
Coupling nut	Brass	Copper-Tin-Zinc Alloy
Piece Parts (F)	Material	Plating
Centre contact	Brass	Gold plating (Non-magnetic nickel-phosphorus underplating)
Body	Brass	Copper-Tin-Zinc Alloy
Insulator	PTFE	
Coupling nut	Brass	Copper-Tin-Zinc Alloy

75Ω BNC Plug (Male) to 75Ω F Plug (Male) Straight Adapter,  
DC-3 GHz, VSWR 1.30

**AD-B1F17A / 144-144**

**Mechanical Data**

	BNC side	F side
Coupling mechanisms	Bayonet-lock	Screw-lock
Mating cycles	min. 500	min. 500
Coupling nut retention	N/A	≥ 300 N
Center contact captivation: axial	≥ 15 N	≥ 20 N
Coupling test torque	N/A	max. 6.78 Nm
Recommended torque	N/A	1.1 Nm

**Environmental Data**

Temperature range	-65°C to +165°C
Thermal shock	MIL-STD-202, Meth. 107, Cond. B
Corrosion	MIL-STD-202, Meth. 101, Cond. B
Vibration	MIL-STD-202, Meth. 204, Cond. B
Shock	MIL-STD-202, Meth. 213, Cond. B
Moisture resistance	MIL-STD-202, Meth. 106
RoHS	compliant

**Packing**

Single or 100