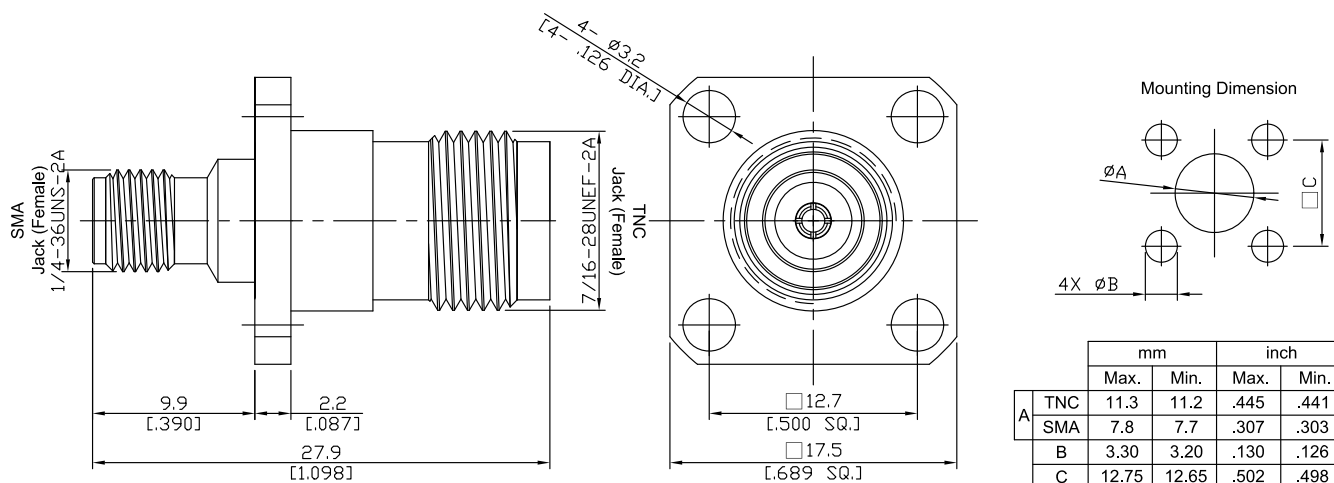


SMA Jack (Female) to TNC Jack (Female)
Panel 4 Hole Flange Mount Adapter, DC-11 GHz, VSWR ≤ 1.2

AD-A2T25A-PF / 93-93



All dimensions are in mm [inch]

Tolerances according to DIN ISO 2768-mH

Interface

SMA according to

IEC 60169-15; CECC 22110; MIL-PRF-39012; MIL-STD-348B/310; EN 122110

TNC according to

IEC 61169-17; CECC 22200; MIL-PRF-39012; MIL-STD-348B/313; DIN EN 122200

Electrical Data

Impedance

50 Ω

Frequency

DC to 11 GHz

VSWR (Return Loss)

≤ 1.20 (≥ 20.83 dB)

Insertion loss

≤ 0.04 × √F (GHz) dB

Insulation resistance

≥ 5 GΩ

Center contact resistance

≤ 3.0 mΩ, SMA Side ≤ 1.5 mΩ, TNC side

Outer contact resistance

≤ 2.0 mΩ, SMA Side ≤ 1 mΩ, TNC side

Test voltage (at sea level)

1000 V rms

Working voltage (at sea level)

480 V rms

Power handling (at 20 °C, sea level, VSWR 1.0)

≤ 80 W @ 2 GHz

Material And Plating

Piece Parts (SMA)	Material	Plating
Centre contact	Beryllium Copper	Gold plating (Non-magnetic nickel-phosphorus underplating)
Body	Brass	Nickel
Insulator	PTFE	
Piece Parts (TNC)	Material	Plating
Centre contact	Beryllium Copper	Gold plating (Non-magnetic nickel-phosphorus underplating)
Body	Brass	Nickel
Insulator	PTFE	

SMA Jack (Female) to TNC Jack (Female)
Panel 4 Hole Flange Mount Adapter, DC-11 GHz, VSWR ≤ 1.2

AD-A2T25A-PF / 93-93

Mechanical Data

	SMA side	TNC side
Coupling mechanisms	Screw-lock	Screw-lock
Mating cycles	min. 500	min. 500
Center contact captivation: axial	≥ 27 N	≥ 27 N
Coupling test torque	max. 1.7 Nm	max. 1.7 Nm
Recommended torque	0.57 Nm	0.46 Nm to 0.69 Nm

Environmental Data

Temperature Range	-65°C to +165°C
Thermal shock	MIL-STD-202, Meth. 107, Cond. B
Corrosion	MIL-STD-202, Meth. 101, Cond. B
Vibration	MIL-STD-202, Meth. 204, Cond. B
Shock	MIL-STD-202, Meth. 213, Cond. G
Moisture resistance	MIL-STD-202, Meth. 106
RoHS	compliant

Packing

Single or 100