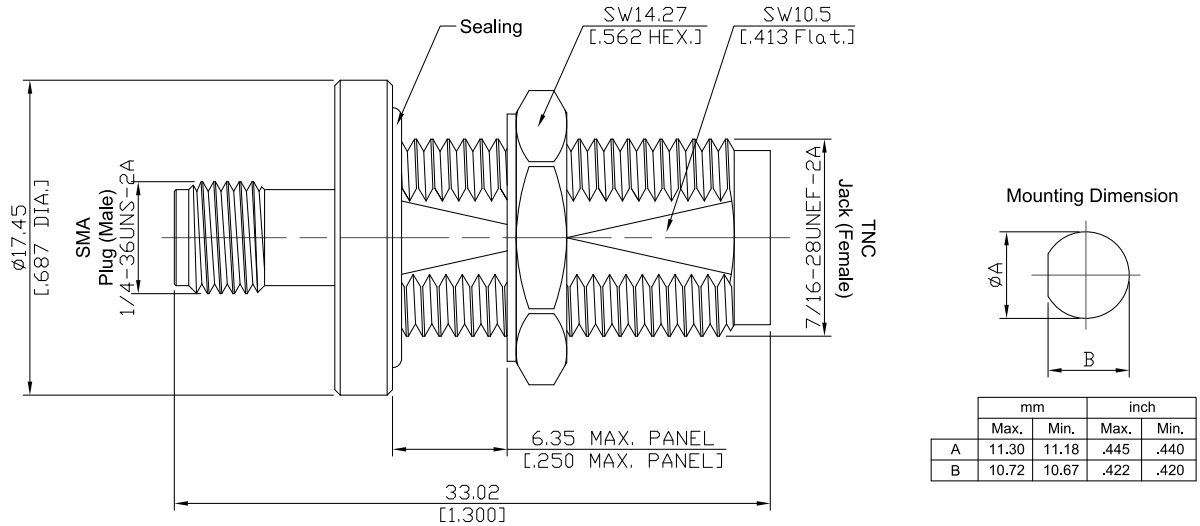


SMA Jack (Female) to TNC Jack (Female) Bulkhead Mount Adapter,  
DC-11GHz, VSWR 1.2

**AD-A2T25A-BHS / 93-93**



All dimensions are in mm [inch]  
Tolerances according to DIN ISO 2768-mH

**Interface**

SMA According to  
TNC According to

IEC 60169-15; CECC 22110; MIL-PRF-39012; MIL-STD-348B/310; EN 122110  
IEC 60169-17; MIL-STD-348B/313

**Electrical Data**

Impedance	50 Ω	
Frequency	DC to 11 GHz	
VSWR (Return Loss)	≤ 1.20 (≥ 20.83 dB)	
Insertion Loss	≤ 0.1 x √F (GHz) dB	
Insulation Resistance	≥ 5 GΩ	
Center Contact Resistance	≤ 3.0 mΩ, SMA Side	≤ 1.5 mΩ, TNC side
Outer Contact Resistance	≤ 2.0 mΩ, SMA Side	≤ 1 mΩ, TNC side
Test Voltage	1000 V rms	
Working Voltage	480 V rms	
Power handling	≤ 80 W @ 2 GHz	

**Material And Plating**

Piece Parts (SMA)	Material	Plating
Centre contact	Beryllium Copper	Gold plating (Non-magnetic nickel-phosphorus underplating)
Body	Brass	Nickel
Insulator	PTFE	
Piece Parts (TNC)	Material	Plating
Centre contact	Beryllium Copper	Gold plating (Non-magnetic nickel-phosphorus underplating)
Body	Brass	Nickel
Insulator	PTFE	
Washer	Brass	Nickel
Nut	Brass	Nickel
Gasket	Silicon rubber	

SMA Jack (Female) to TNC Jack (Female) Bulkhead Mount Adapter,  
DC-11GHz, VSWR 1.2

**AD-A2T25A-BHS / 93-93**

**Mechanical Data**

	SMA Side	TNC Side
Coupling mechanisms	Screw-lock	Screw-lock
Mating Cycles	≥ 500	≥ 500
Center contact captivation: axial	≥ 27 N	≥ 27 N
Coupling test torque	max. 1.7 Nm	max. 1.7 Nm
Recommended torque	0.57 Nm	0.69 Nm

**Environmental Data**

Temperature Range	-65°C to +165°C
Thermal Shock	MIL-STD-202, Meth. 107, Cond. B
Corrosion	MIL-STD-202, Meth. 101, Cond. B
Vibration	MIL-STD-202, Meth. 204, Cond. D
Shock	MIL-STD-202, Meth. 213, Cond. I
Moisture Resistance	MIL-STD-202, Meth. 106
RoHS	compliant

**Packing**

Single or 100