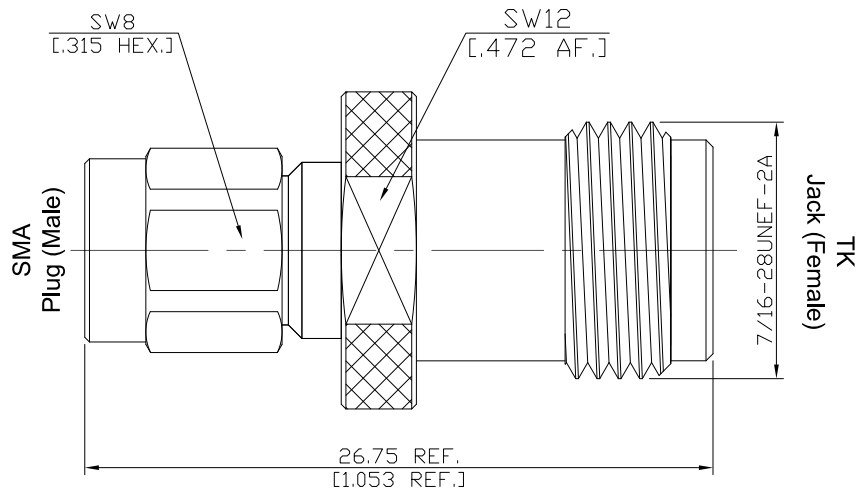


SMA Plug (Male) to TK Jack (Female) Straight Adapter, DC - 18 GHz, VSWR 1.30

AD-A1TK25A / 9XX-9X



All dimensions are in mm [inch]

Tolerances according to DIN ISO 2768-mH

Interface

SMA side According to

IEC 60169-15; CECC 22110; MIL-PRF-39012; MIL-STD-348B/310; EN 122110

TK side According to

MIL-STD-348B/329

Electrical Data

Impedance

50 Ω

Frequency

DC to 18 GHz

VSWR (Return Loss)

≤ 1.3 (≥ 17.69 dB)

Insertion Loss

≤ 0.05 × √F (GHz) dB

Insulation resistance

≥ 5 GΩ

Material And Plating

Piece Parts (SMA)	Material	Plating
Centre contact	Beryllium Copper	Gold plating (Non-magnetic nickel-phosphorus underplating)
Body	Stainless Steel	Passivated
Insulator	PTFE	
Gasket	Silicone Rubber	
Coupling nut	Stainless Steel	Passivated
Piece Parts (TK)	Material	Plating
Centre contact	Beryllium Copper	Gold plating (Non-magnetic nickel-phosphorus underplating)
Body	Stainless Steel	Passivated
Insulator	PTFE	

SMA Plug (Male) to TK Jack (Female) Straight Adapter, DC - 18 GHz, VSWR 1.30

AD-A1TK25A / 9XX-9X

Mechanical Data

	SMA Side	TK Side
Coupling mechanisms	Screw-On	Screw-On
Mating Cycles	min. 500	min. 500
Center contact captivation: axial	≥ 27 N	≥ 27 N
Coupling test torque	max. 1.7 Nm	N/A
Recommended torque	0.8 Nm to 1.1 Nm	N/A

Environmental Data

Temperature Range	-65°C to +165°C
RoHS	compliant

Packing

Single or 100