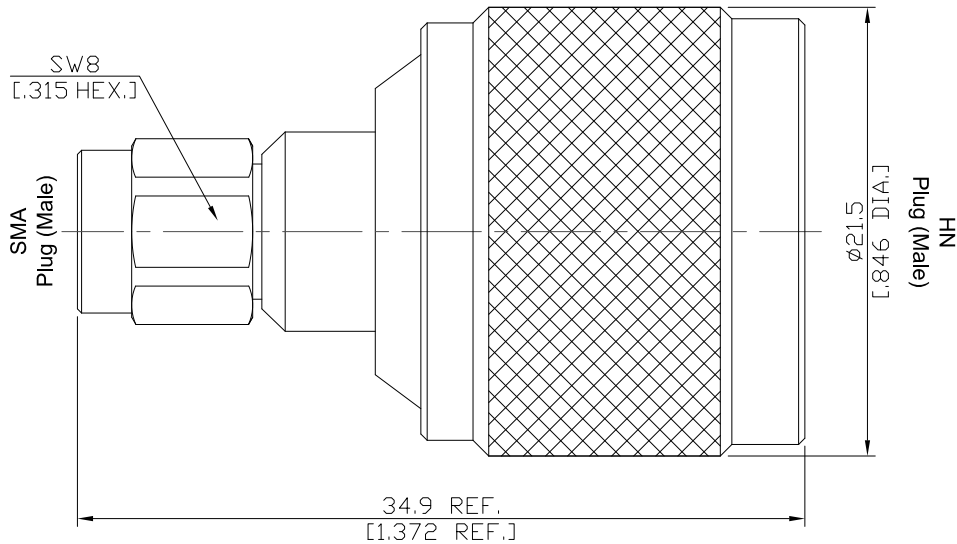


SMA Plug (Male) to HN Plug (Male), Straight Adapter,
DC-4 GHz, VSWR 1.25

AD-A1HN15A / 144-144



All dimensions are in mm [inch]
Tolerances according to DIN ISO 2768-mH

Interface

SMA According to
HN According to

IEC 60169-15; CECC 22110; MIL-PRF-39012; MIL-STD-348B/310; EN 122110
MIL-STD-348B/317; MIL-PRF-39012

Electrical Data

Impedance	50 Ω	
Frequency	DC to 4 GHz	
VSWR (Return Loss)	≤ 1.25 (≥ 19.08 dB)	
Insertion Loss	≤ 0.06 x √F (GHz) dB	
Insulation resistance	≥ 5 GΩ	
Center contact resistance	≤ 3 mΩ, SMA side	≤ 1 mΩ, HN side
Outer contact resistance	≤ 2 mΩ, SMA side	≤ 0.2 mΩ, HN side
Test voltage	1000 V rms	
Voltage Rating	500 V rms	

Material And Plating

Piece Parts (SMA)	Material	Plating
Centre contact	Brass	Gold plating (Non-magnetic nickel-phosphorus underplating)
Body	Brass	Copper-Tin-Zinc Alloy
Insulator	PTFE	
Gasket	Silicone Rubber	
Coupling nut	Brass	Copper-Tin-Zinc Alloy
Piece Parts (HN)	Material	Plating
Centre contact	Brass	Gold plating (Non-magnetic nickel-phosphorus underplating)
Body	Brass	Copper-Tin-Zinc Alloy
Insulator	PTFE	
Gasket	Silicone Rubber	
Coupling nut	Brass	Copper-Tin-Zinc Alloy

SMA Plug (Male) to HN Plug (Male), Straight Adapter,
DC-4 GHz, VSWR 1.25

AD-A1HN15A / 144-144

Mechanical Data

	SMA side	HN side
Coupling mechanisms	Screw-On	Screw-On
Mating cycles	min. 500	min. 500
Recommended torque	0.57 Nm	N/A

Environmental Data

Temperature Range	-65°C to +165°C
Thermal shock	MIL-STD-202, Meth. 107, Cond. B
Corrosion	MIL-STD-202, Meth. 101, Cond. B
Vibration	MIL-STD-202, Meth. 204, Cond. A
Shock	MIL-STD-202, Meth. 213, Cond. I
Moisture resistance	MIL-STD-202, Meth. 106
RoHS	compliant

Packing

Single or 100