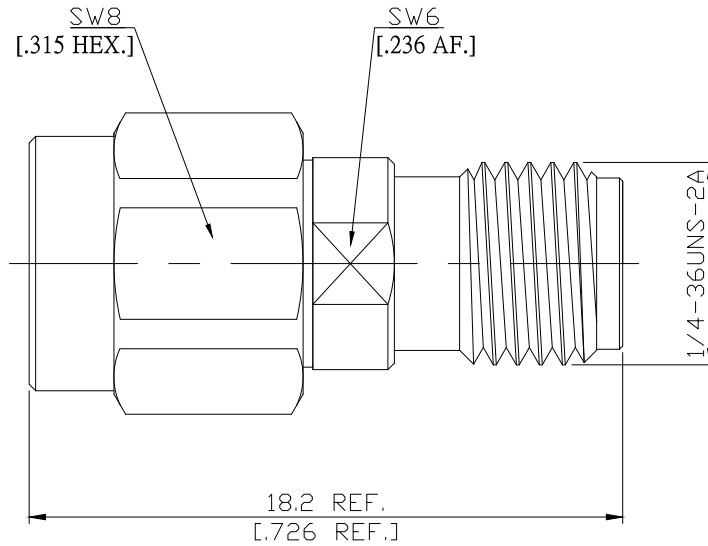




SMA Plug (Male) to SMA Jack (Female) Adapter DC-27GHz  
VSWR1.15

**AD-A1A25B / 9XX-9X**



All dimensions are in mm [inch]  
Tolerances according to DIN ISO 2768-mH

**Interface**

Mechanically compatible with 2.92mm, 3.5mm  
According to IEC 60169-15, MIL-STD-348B/310

**Electrical Data**

Impedance 50 Ω  
Frequency DC to 27 GHz  
VSWR (Return Loss) ≤ 1.15 (≥ 23.13 dB)  
Insertion Loss ≤ 0.04 x √F (GHz) dB  
Insulation Resistance ≥ 5 GΩ  
Center Contact Resistance ≤ 3mΩ  
Outer Contact Resistance ≤ 2mΩ  
Test Voltage (at sea level) 1000 V rms  
Working Voltage (at sea level) 480 V rms  
Power handling (at 20 °C, sea level, VSWR 1.0) ≤ 200 W @ 2 GHz  
RF Leakage ≥ 100 dB up to 1 GHz  
Dielectric Withstanding Voltage 1000 VRMS  
RF High Potential Withstanding Voltage: 760 VRMS  
(Tested at 5 MHz)

**Material And Plating**

| Piece Parts (SMA) | Material         | Plating  |
|-------------------|------------------|--|
| Centre Contact    | Beryllium Copper | Gold plating, 3 μinch<br>(Non-magnetic nickel-phosphorus underplating, 80 μinch) |
| Body              | Stainless Steel  | Passivated   |
| Insulator         | PTFE/PEI         |  |
| Gasket            | Silicone Rubber  |  |
| Coupling Nut      | Stainless Steel  | Passivated   |
| Piece Parts (SMA) | Material         | Plating  |
| Centre Contact    | Beryllium Copper | Gold plating, 3 μinch<br>(Non-magnetic nickel-phosphorus underplating, 80 μinch) |
| Body              | Stainless Steel  | Passivated   |
| Insulator         | PTFE/PEI         |  |

The facts and figures herein are carefully compiled to the best of our knowledge, but they are intended for general informational purposes only. In the effort to improve our products, we reserve the right to make changes judged to be necessary.

Rev.:  
Date:  
9/15/2018

Rosnol RF/Microwave Technology Co., Ltd.  
[www.rosnol.com](http://www.rosnol.com); [info@rosnol.com](mailto:info@rosnol.com)  
Phone: +886-3-463-5095 / Fax: +886-3-463-5952  
N-CAGE Code: SFKK0 / ISO9001 Certified

Page  
1/2

SMA Plug (Male) to SMA Jack (Female) Adapter DC-27GHz  
VSWR1.15

**AD-A1A25B / 9XX-9X**

**Mechanical Data**

|                                   |              |
|-----------------------------------|--------------|
| Coupling mechanisms               | Screw-lock   |
| Mating Cycles                     | ≥ 500        |
| Coupling Nut Retention            | ≥ 270 N      |
| Center Contact Captivation: axial | ≥ 20 N       |
| radial                            | ≥ 3 N.cm.    |
| Weight                            | N/A          |
| Coupling Test Torque              | 1.70 Nm max. |
| Recommended Torque                | 0.9 Nm       |

**Environmental Data**

|                     |                                      |
|---------------------|--------------------------------------|
| Temperature Range   | -55°C to +165°C                      |
| Thermal shock       | MIL-STD-202, Method 107, Condition B |
| Corrosion           | MIL-STD-202, Method 101, Condition B |
| Vibration           | MIL-STD-202, Method 204, Condition D |
| Shock               | MIL-STD-202, Method 213, Condition I |
| Moisture Resistance | MIL-STD-202, Method 106              |
| RoHS                | compliant                            |

**Packing**

Single or 100