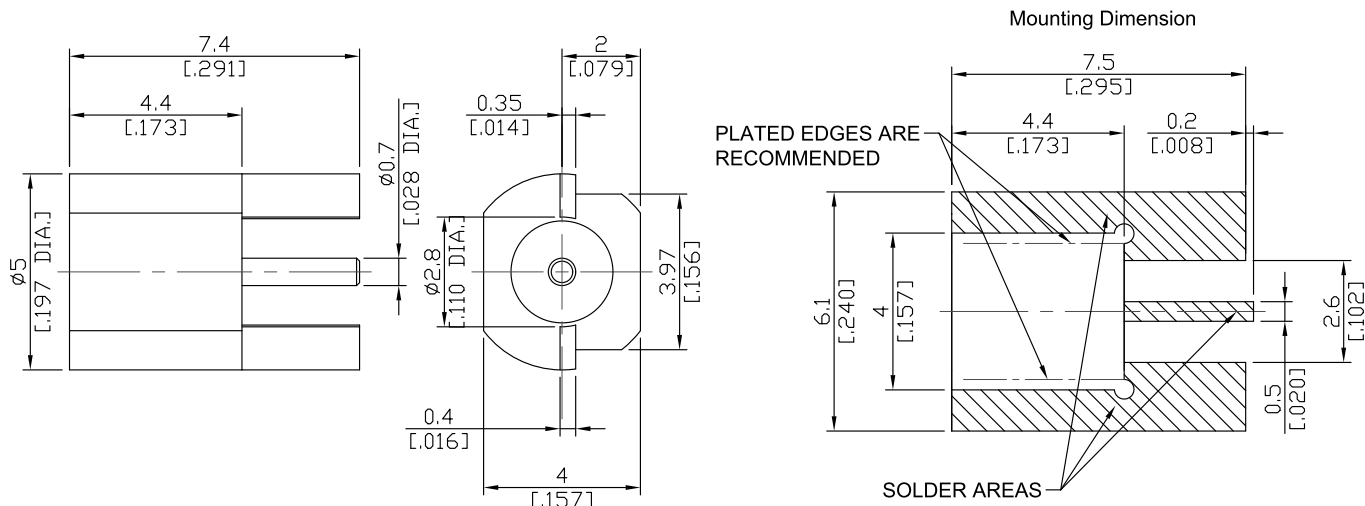


SMP Plug (Male) Limited Detent Connector Solder Attachment End Launch PCB,
DC-26.5 GHz, VSWR 1.33

SMPLD1J50-0740A / 11



All dimensions are in mm [inch]
Tolerances according to DIN ISO 2768-mH

Interface

According to MIL-PRF-31031; MIL-STD-348B/326; IEC 61169-44

Electrical Data

Impedance	50 Ω
Frequency	DC to 26.5 GHz
VSWR (Return Loss)	≤ 1.33 (≥ 19.08 dB)
Insertion Loss	≤ 0.05 × √F (GHz) dB
Insulation Resistance	≥ 5 GΩ
Center Contact Resistance	≤ 6.0 mΩ
Outer Contact Resistance	≤ 2.0 mΩ
Test Voltage	500 V rms
Working Voltage (at sea level)	≤ 335 V rms

-VSWR in practical applications depends on installation, PCB layout, and cavity design-

Material And Plating

Piece Parts	Material	Plating
Centre contact	Brass	Gold plating (Non-magnetic nickel-phosphorus underplating)
Body	Brass	Gold plating (Non-magnetic nickel-phosphorus underplating)
Insulator	PTFE	

SMP Plug (Male) Limited Detent Connector Solder Attachment End Launch PCB,
DC-26.5 GHz, VSWR 1.33

SMPLD1J50-0740A / 11

Mechanical Data

Coupling mechanisms	Snap-on
Mating Cycles	≥ 500
Centre Contact	Soldered
Captivated Type	Mechanical
Board mounting Type	Edge Mount
Center Contact Captivation	≥ 7 N
Disengagement force	≤ 45 N
Engagement force	≥ 9 N

Environmental Data

Temperature Range	-65°C to +165°C
Thermal shock	MIL-STD-202, Meth. 107, Cond. B
Vibration	MIL-STD-202, Meth. 204, Cond. B
Shock	MIL-STD-202, Meth. 213, Cond. A
Moisture Resistance	MIL-STD-202, Meth. 106
RoHS	compliant

Packing

Single or 100