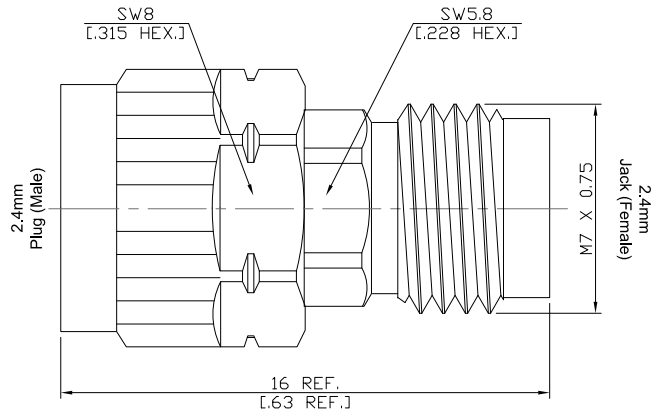


40 dB Fixed Attenuator, 2.4 mm Plug (Male) to 2.4 mm Jack (Female),
DC - 50 GHz, 1 W

FA-Q1Q25A-50G1W40 / 9XX-9X



All dimensions are in mm [inch]

Tolerances according to DIN ISO 2768-mH

Interface

Mechanically compatible with

1.85mm

According to

IEC 61169-40; IEEE Std 287; MIL-STD-348B/324

Electrical Data

Impedance

50 Ω

Frequency

DC to 50 GHz

VSWR (Return Loss)

≤ 1.30 (≥ 17.69 dB)

Average power at 25°C

1 W

Peak Power

100 W (5 μSec Pulse Width, 1% Duty Cycle)

Accuracy Of Attenuation & Power

Nominal Attenuation(dB) 40

Deviation (± dB) -0.9/+1.0

Material And Plating

Piece Parts (2.4mm)	Material	Plating
Centre Contact	Beryllium Copper	Gold plating
Body	Stainless Steel	Passivated
Insulator	PEI	
Coupling Nut	Stainless Steel	Passivated
Piece Parts (2.4mm)	Material	Plating
Centre Contact	Beryllium Copper	Gold plating
Body	Stainless Steel	Passivated
Insulator	PEI	

Mechanical Data

Coupling mechanisms

Screw-On

Mating Cycles

≥ 500

Center Contact Captivation: axial

≥ 20 N

Coupling Test Torque

max. 1.65 Nm

Recommended Torque

0.80 Nm to 1.10 Nm

Environmental Data

Temperature Range

-55°C to +125°C

RoHS

compliant

Packing

Single or 100