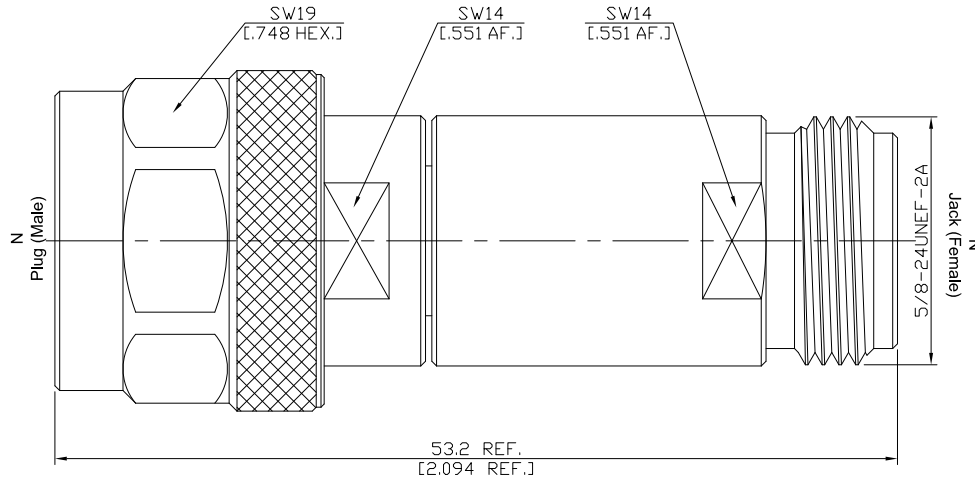


6 dB Fixed Attenuator, N Plug (Male) to N Jack (Female) Rated to 2 Watts  
Up to 7 GHz

## FA-N1N25A-7G2W6 / H33-H3



All dimensions are in mm [inch]

Tolerances according to DIN ISO 2768-mH

### Interface

According to IEC 60169-16; MIL-STD-348B/304; CECC 22210; MIL-PRF-39012

### Electrical Data

Impedance 50 Ω  
Frequency DC to 7 GHz  
VSWR (Return Loss) ≤ 1.35 (≥ 16.54 dB)  
Average power at 25°C 2 Watts

### Accuracy Of Attenuation & Power

Nominal Attenuation (dB)	6
Deviation (± dB)	0.5

### Material And Plating

Piece Parts (N)	Material	Plating
Centre Contact	Phosphor Bronze	Gold plating (Non-magnetic nickel-phosphorus underplating)
Body	Brass	Nickel
Insulator	PTFE	
Gasket	Silicone Rubber	
Coupling Nut	Brass	Nickel
Piece Parts (N)	Material	Plating
Centre Contact	Phosphor Bronze	Gold plating (Non-magnetic nickel-phosphorus underplating)
Body	Brass	Nickel
Insulator	PTFE	

6 dB Fixed Attenuator, N Plug (Male) to N Jack (Female) Rated to 2 Watts  
Up to 7 GHz

## FA-N1N25A-7G2W6 / H33-H3

### Mechanical Data

Coupling mechanisms	Screw-On
Mating Cycles	≥ 500
Coupling Nut Retention	≥ 450 N
Center Contact Captivation: axial	≥ 28 N
Coupling Test Torque	max. 1.70 Nm
Recommended Torque	1.0 Nm

### Environmental Data

Temperature Range	-55°C to + 125°C
RoHS	compliant

### Packing

Single or 100