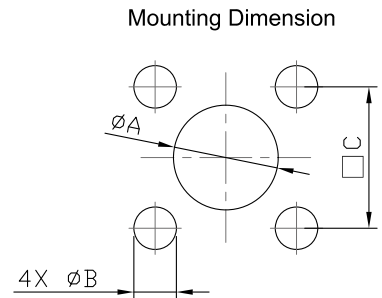
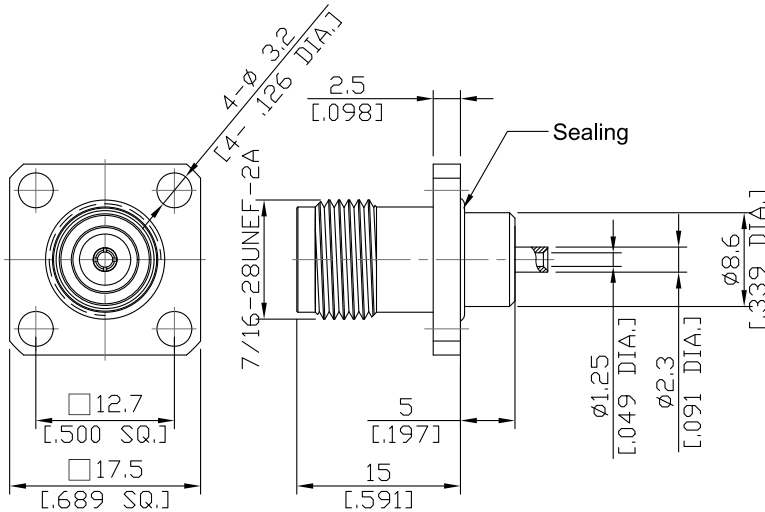


TNC Jack (Female) Connector Solder Attachment 4 Hole Flange Mount for .047, .500 inch Hole Spacing, DC-11 GHz, VSWR 1.25

TNC2EBF50S-0047A / H4



	mm		inch	
	Max.	Min.	Max.	Min.
A	8.70	8.65	.343	.341
B	3.30	3.20	.130	.126
C	12.75	12.65	.502	.498

All dimensions are in mm [inch]

Tolerances according to DIN ISO 2768-mH

Interface

According to

IEC 61169-17; CECC 22200; MIL-PRF-39012; MIL-STD-348B/313; DIN EN 122200

Electrical Data

Impedance	50 Ω
Frequency	DC to 11 GHz
VSWR (Return Loss)	≤ 1.25 (≥ 19.08 dB)
Insertion Loss	≤ 0.1 x √F (GHz) dB
Insulation Resistance	≥ 5 GΩ
Center Contact Resistance	≤ 1.5 mΩ
Outer Contact Resistance	≤ 1 mΩ
Test Voltage (at sea level)	1500 V rms
Working Voltage (at sea level)	500 V rms
Power Handling (at 20 °C, sea level, VSWR 1.0)	≤ 80 W @ 2 GHz

-VSWR in application depends decisive on cable assembly process-

Material And Plating

Piece Parts	Material	Plating
Centre Contact	Phosphor Bronze	Gold plating (Non-magnetic nickel-phosphorus underplating)
Body	Brass	Copper-Tin-Zinc Alloy
Insulator	PTFE	
Gasket	Silicone Rubber	

TNC Jack (Female) Connector Solder Attachment 4 Hole Flange Mount for .047,
.500 inch Hole Spacing, DC-11 GHz, VSWR 1.25

TNC2EBF50S-0047A / H4

Mechanical Data

Coupling mechanisms	Screw-lock
Mating Cycles	≥ 500
Coupling Test Torque	max. 1.7 Nm
Recommended Torque	0.46 Nm to 0.69 Nm

Environmental Data

Temperature Range	-65°C to +165°C
Thermal shock	MIL-STD-202, Method 107, Condition B
Corrosion	MIL-STD-202, Method 107, Condition B
Vibration	MIL-STD-202, Method 107, Condition B
Shock	MIL-STD-202, Method 107, Condition G
Moisture Resistance	MIL-STD-202, Method 106
RoHS	compliant

Suitable Cables

.047, RSR-047, RSF-047, RSF-047-FEP

Packing

Single or 100