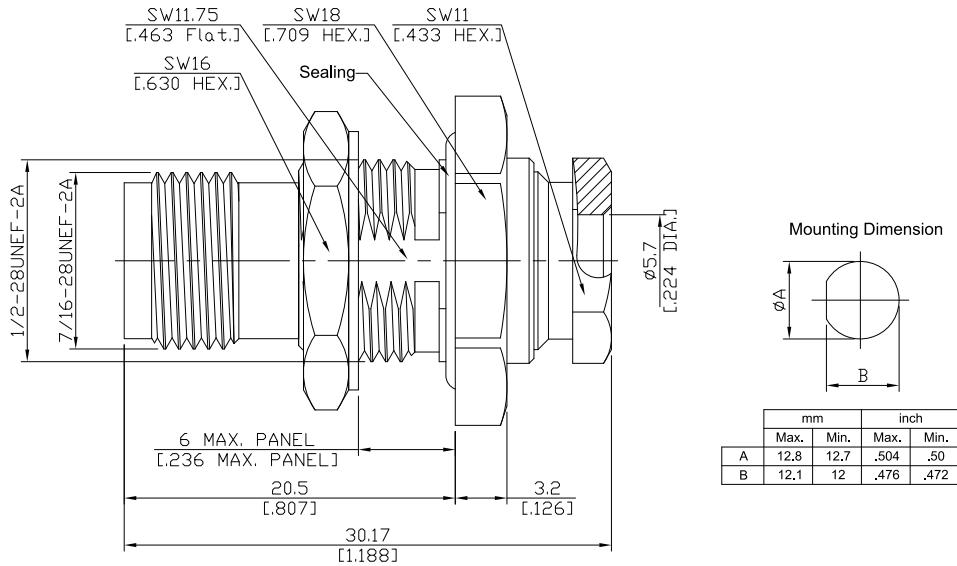


TNC Jack (Female) Bulkhead Mount Connector Clamp/Solder Attachment  
For RG58 Cable DC-11GHz VSWR1.3

**TNC2DA50-G058A / 93**



All dimensions are in mm [inch]  
Tolerances according to DIN ISO 2768-mH

**Interface**

According to IEC 61169-17; CECC 22200; MIL-PRF-39012; MIL-STD-348B/313; DIN EN 122200

**Electrical Data**

Impedance	50 Ω
Frequency	DC to 11 GHz
VSWR (Return Loss)	≤ 1.3 (≥ 17.69 dB)
Insertion Loss	≤ 0.06 x √F (GHz) dB
Insulation Resistance	≥ 5 GΩ
Center Contact Resistance	≤ 1.5 mΩ
Outer Contact Resistance	≤ 1 mΩ
Test Voltage	1500 V rms
Working Voltage	500 V rms
Power handling (at 20 °C, sea level)	≤ 80 W @ 2 GHz

*-VSWR in application depends decisive on cable assembly process-*

**Material And Plating**

Piece Parts	Material	Plating
Centre contact	Beryllium Copper	Gold plating (Non-magnetic nickel-phosphorus underplating)
Body	Brass	Nickel
Insulator	PTFE	
Gasket	Silicone Rubber	
Fastening nut	Brass	Nickel
Washer	Brass	Nickel

TNC Jack (Female) Bulkhead Mount Connector Clamp/Solder Attachment  
For RG58 Cable DC-11GHz VSWR1.3

**TNC2DA50-G058A / 93**

**Mechanical Data**

Coupling Mechanisms	Screw-Lock
Mating Cycles	≥ 500
Center contact captivation: axial	≥ 15 N
Coupling Test Torque	≤ 1.7 Nm
Recommended Torque	0.46 Nm to 0.69 Nm
Centre Contact	Soldered
Cable Entry	Clamped

**Environmental Data**

Temperature Range	-65°C to +165°C
Thermal Shock	MIL-STD-202, Method 107, Condition B
Corrosion	MIL-STD-202, Method 101, Condition B
Vibration	MIL-STD-202, Method 204, Condition B
Shock	MIL-STD-202, Method 213, Condition G
Moisture Resistance	MIL-STD-202, Method 106
RoHS	compliant

**Suitable Cables**

RG-58, RG-55, RG-141, RG-142, RG-223, RG-400, RG-303, LMR-195

**Packing**

Single or 100