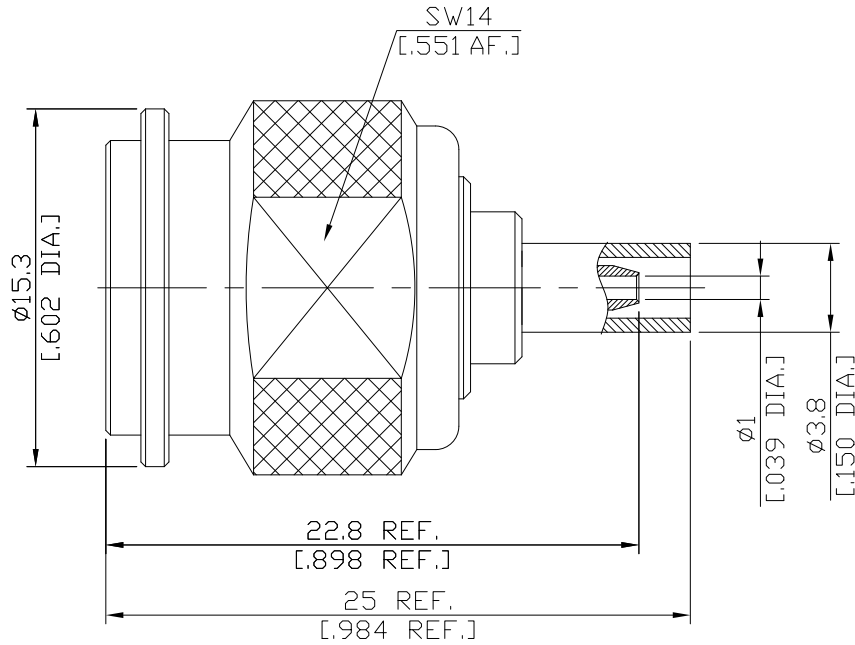


TNC Plug (Male) Straight Connector Crimp / Solder Attachment
for RG178 DC-3GHz VSWR1.3

TNC1C50-G178A / 133



All dimensions are in mm [inch]

Tolerances according to DIN ISO 2768-mH

Interface

According to

IEC 61169-17; CECC 22200; MIL-PRF-39012; MIL-STD-348B/313; DIN EN 122200

Electrical Data

Impedance	50 Ω
Frequency	DC to 3 GHz
VSWR (Return Loss)	≤ 1.3 (≥ 17.69 dB)
Insertion Loss	≤ 0.06 × √F (GHz) dB
Insulation Resistance	≥ 5 GΩ
Center Contact Resistance	≤ 1.5 mΩ
Outer Contact Resistance	≤ 1 mΩ
Test voltage (at sea level)	1500 V rms
Working voltage (at sea level)	500 V rms
Power handling (at 20 °C, sea level, VSWR 1.0)	80 W @ 2 GHz

-VSWR in application depends decisive on cable assembly process-

Material And Plating

Piece Parts	Material	Plating
Centre contact	Brass	Gold plating (Non-magnetic nickel-phosphorus underplating)
Body	Brass	Nickel
Insulator	PTFE	
Gasket	Silicone Rubber	
Coupling nut	Brass	Nickel
Crimp ferrules	Brass	Nickel

TNC Plug (Male) Straight Connector Crimp / Solder Attachment
for RG178 DC-3GHz VSWR1.3

TNC1C50-G178A / 133

Mechanical Data

Coupling Mechanisms	Screw-Lock
Mating Cycles	≥ 500
Center Contact Captivation: axial	≥ 15 N
Centre Contact	Soldered
Cable Entry	Crimped
Coupling Test Torque	≤ 1.7 Nm
Recommended Torque	0.46 Nm to 0.69 Nm

Environmental Data

Temperature Range	-65°C to +165°C
Thermal Shock	MIL-STD-202, Method 107, Condition B
Corrosion	MIL-STD-202, Method 101, Condition B
Vibration	MIL-STD-202, Method 204, Condition B
Shock	MIL-STD-202, Method 213, Condition G
Moisture Resistance	MIL-STD-202, Method 106
RoHS	compliant

Suitable Cables

RG178, RG196

Packing

Single or 100