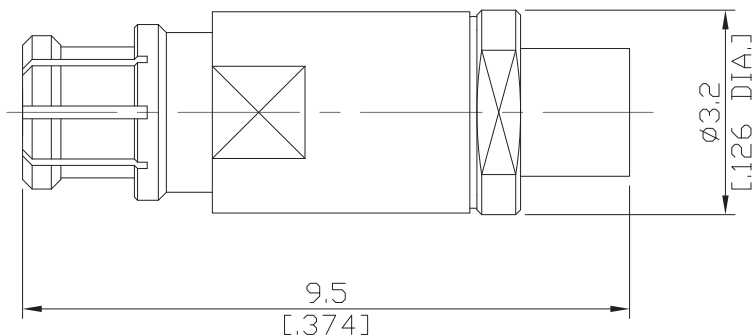


SMMP Jack (Female) Connector Solder Clamp / Contact Pin Plug-in Attachment
for EF407, DC-26.5 GHz VSWR 1.25, 26.5-40 GHz VSWR 1.40

SMMP2K50-EF047A / 99



All dimensions are in mm [inch]

Tolerances according to DIN ISO 2768-mH

Interface

According to MIL-PRF-31031; MIL-STD-348B/328

Electrical Data

Impedance	50 Ω	
Frequency	DC to 40 GHz	
VSWR (Return Loss)	≤ 1.25 (≥ 19.08 dB)	@ DC - 26.5 GHz
	≤ 1.40 (≥ 15.56 dB)	@ 26.5 - 40 GHz
Insertion Loss	≤ 0.1 × √F (GHz) dB	
Insulation Resistance	≥ 5 GΩ	
Center Contact Resistance	≤ 6.0 mΩ	
Outer Contact Resistance	≤ 2.0 mΩ	
Working Voltage (at sea level)	325 V rms	

-VSWR in application depends decisive on cable assembly process-

Material And Plating

Piece Parts	Material	Plating
Centre contact	Beryllium Copper	Gold plating (Non-magnetic nickel-phosphorus underplating)
Body	Beryllium Copper	Gold plating (Non-magnetic nickel-phosphorus underplating)
Insulator	PTFE	

SMPM Jack (Female) Connector Solder Clamp / Contact Pin Plug-in Attachment
for EF407, DC-26.5 GHz VSWR 1.25, 26.5-40 GHz VSWR 1.40

SMPM2K50-EF047A / 99

Mechanical Data

Coupling mechanisms	Snap-On	
Mating Cycles	Mating with Smooth Bore	≥ 500
	Mating with Full Detent	≥ 100
Center Contact Captivation: axial		≥ 7 N
Engagement Force	Smooth Bore	11 N typical
	Full Detent	19 N typical
Disengagement Force	Smooth Bore	11 N typical
	Full Detent	29 N typical
Centre Contact	Plug-in	
Cable Entry	Solder clamp	

Environmental Data

Temperature Range	-65°C to +165°C
Thermal shock	MIL-STD-202, Meth. 107, Cond. B
Vibration	MIL-STD-202, Meth. 204, Cond. A
Shock	MIL-STD-202, Meth. 213, Cond. A
Moisture Resistance	MIL-STD-202, Meth. 106
RoHS	compliant

Suitable Cables

EF047

Packing

Single or 100