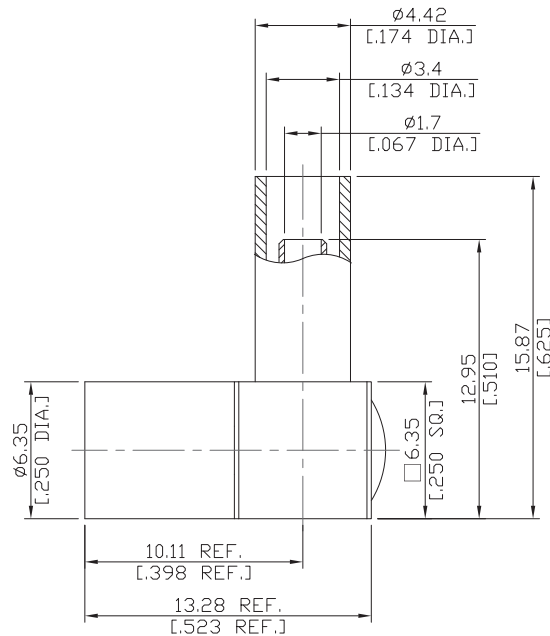


SMB Plug (Male) Right Angle Connector Crimp/Solder Attachment for RG316,
DC-10 GHz

SMB1C59-G316D / 933



All dimensions are in mm [inch]

Tolerances according to DIN ISO 2768-mH

Interface

According to

MIL-STD-348B/311; IEC 61169-10; MIL-PRF-39012 ; CECC 22130

Electrical Data

Impedance	50 Ω
Frequency	DC to 10 GHz
VSWR (Return Loss)	N/A
Insertion Loss	≤ 0.1 x √F (GHz) dB
Insulation Resistance	≥ 1x10 ³ MΩ
Center contact resistance	≤ 5 mΩ
Outer contact resistance	≤ 2.5 mΩ
Test Voltage (50 Hz, at sea level)	750 V rms
Working Voltage (50 Hz, at sea level)	≤ 250 V rms
RF Leakage	≥ 55 dB up to 1 GHz

-VSWR in application depends decisive on cable assembly process-

Material And Plating

Piece Parts	Material	Plating
Centre Contact	Beryllium Copper	Gold plating (Non-magnetic nickel-phosphorus underplating)
Body	Brass	Nickel
Insulator	PTFE	
Coupling Nut	Brass	Nickel
Crimp ferrules	Brass	Nickel

SMB Plug (Male) Right Angle Connector Crimp/Solder Attachment for RG316,
DC-10 GHz

SMB1C59-G316D / 933

Mechanical Data

Coupling mechanisms	Snap-On
Mating Cycles	≥ 500
Centre contact	Soldered
Cable entry	Crimped
Center Contact Captivation: axial	≥ 10 N
Engagement force	≤ 63 N
Disengagement force	8 N min. to 63 N max.

Environmental Data

Temperature Range	-65°C to +165°C
Thermal shock	MIL-STD-202, Method 107, Condition B
Corrosion	MIL-STD-202, Method 101, Condition B
Vibration	MIL-STD-202, Method 204, Condition B
Moisture Resistance	MIL-STD-202, Method 106
RoHS	compliant

Suitable Cable

RG316, RG174, RG188

Packing

Single or 100