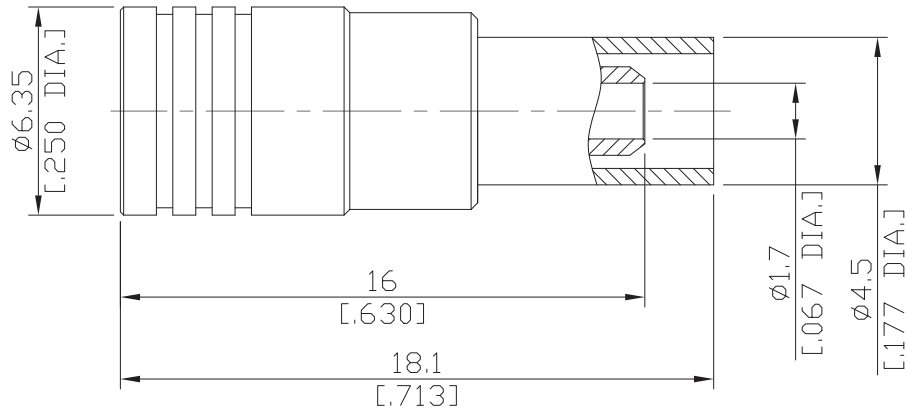


SMB Plug (Male) Straight Connector Crimp / Contact Pin Solder or Crimp Attachment
for RG316D, DC-4 GHz, VSWR 1.25

SMB1C50-D316A / 911



All dimensions are in mm [inch]

Tolerances according to DIN ISO 2768-mH

Interface

According to

MIL-STD-348B/311; IEC 61169-10; MIL-PRF-39012 ; CECC 22130

Electrical Data

| | |
|---------------------------------------|--------------------------|
| Impedance | 50 Ω |
| Frequency | DC to 4 GHz |
| VSWR (Return Loss) | ≤ 1.25 (≥ 19.08 dB) |
| Insertion Loss | ≤ 0.1 × √F (GHz) dB |
| Insulation Resistance | ≥ 1 × 10 ³ MΩ |
| Center contact resistance | ≤ 5 mΩ |
| Outer contact resistance | ≤ 2.5 mΩ |
| Test Voltage (50 Hz, at sea level) | 750 V rms |
| Working Voltage (50 Hz, at sea level) | ≤ 250 V rms |
| RF Leakage | ≥ 55 dB up to 1 GHz |

-VSWR in application depends decisive on cable assembly process-

Material And Plating

| Piece Parts | Material | Plating |
|----------------|------------------|---|
| Centre Contact | Beryllium Copper | Gold plating (Non-magnetic nickel-phosphorus underplating) |
| Body | Brass | Gold plating (Non-magnetic nickel-phosphorus underplating) |
| Insulator | PTFE | |
| Coupling Nut | Brass | Gold plating (Non-magnetic nickel-phosphorus underplating) |
| Crimp ferrules | Brass | Gold plating (Non-magnetic nickel-phosphorus underplating) |

SMB Plug (Male) Straight Connector Crimp / Contact Pin Solder or Crimp Attachment
for RG316D, DC-4 GHz, VSWR 1.25

SMB1C50-D316A / 911

Mechanical Data

| | |
|-----------------------------------|-----------------------|
| Coupling mechanisms | Snap-On |
| Mating Cycles | ≥ 500 |
| Centre contact | Soldered or Crimped |
| Cable entry | Crimped |
| Center Contact Captivation: axial | ≥ 10 N |
| Engagement force | ≤ 63 N |
| Disengagement force | 8 N min. to 63 N max. |

Environmental Data

| | |
|---------------------|--------------------------------------|
| Temperature Range | -65°C to +165°C |
| Thermal shock | MIL-STD-202, Method 107, Condition B |
| Corrosion | MIL-STD-202, Method 101, Condition B |
| Vibration | MIL-STD-202, Method 204, Condition B |
| Moisture Resistance | MIL-STD-202, Method 106 |
| RoHS | compliant |

Suitable Cable

RG316D, RD316

Packing

Single or 100