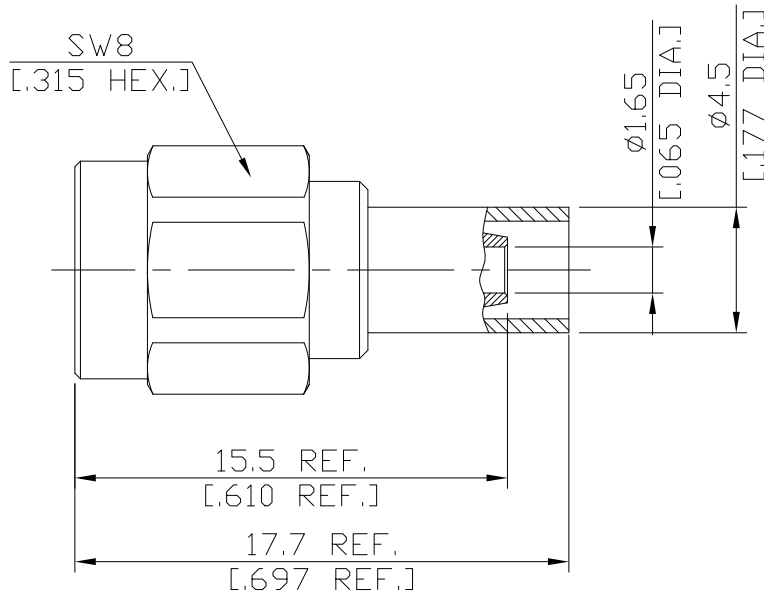


SMA Plug (Male) Straight Connector Crimp/Contact Pin Solder Attachment
for RG316D, DC-6 GHz, VSWR 1.15

SMA1C50-D316B / 111



All dimensions are in mm [inch]
Tolerances according to DIN ISO 2768-mH

Interface

According to IEC 60169-15; CECC 22110; MIL-PRF-39012; MIL-STD-348B/310; EN 122110

Electrical Data

| | |
|--------------------------------|----------------------|
| Impedance | 50 Ω |
| Frequency | DC to 6 GHz |
| VSWR (Return Loss) | ≤ 1.15 (≥ 23.13 dB) |
| Insertion Loss | ≤ 0.04 x √F (GHz) dB |
| Insulation Resistance | ≥ 5 GΩ |
| Center contact resistance | ≤ 3 mΩ |
| Outer contact resistance | ≤ 2 mΩ |
| Test Voltage (at sea level) | 1000 V rms |
| Working Voltage (at sea level) | 480 V rms |
| Power handling | ≤ 200 W @ 2 GHz |
| RF Leakage | ≥ 100 dB up to 1 GHz |

-VSWR in application depends decisive on cable assembly process-

Material And Plating

| Piece Parts | Material | Plating |
|----------------|-----------------|---|
| Centre Contact | Brass | Gold plating (Non-magnetic nickel-phosphorus underplating) |
| Body | Brass | Gold plating (Non-magnetic nickel-phosphorus underplating) |
| Insulator | PTFE | |
| Gasket | Silicone Rubber | |
| Coupling Nut | Brass | Gold plating (Non-magnetic nickel-phosphorus underplating) |
| Crimp ferrules | Brass | Gold plating (Non-magnetic nickel-phosphorus underplating) |

The facts and figures herein are carefully compiled to the best of our knowledge, but they are intended for general informational purposes only. In the effort to improve our products, we reserve the right to make changes judged to be necessary.

| | |
|----------------------|---|
| Rev.:- | Rosnol RF/Microwave Technology Co., Ltd. www.rosnol.com ; info@rosnol.com |
| Date: SEP/08/2025 | Phone: +886-3-463-5095 / Fax: +886-3-463-5952 N-CAGE Code: SFKK0 / ISO9001 Certified |

**SMA Plug (Male) Straight Connector Crimp/Contact Pin Solder Attachment
for RG316D, DC-6 GHz, VSWR 1.15**

SMA1C50-D316B / 111

Mechanical Data

| | |
|-----------------------------------|--------------|
| Coupling mechanisms | Screw-lock |
| Mating Cycles | ≥ 500 |
| Coupling Nut Retention | ≥ 270 N |
| Centre contact | Soldered |
| Cable entry | Crimped |
| Center Contact Captivation: axial | ≥ 27 N |
| Coupling Test Torque | 1.70 Nm max. |
| Recommended Torque | 0.57 Nm |

Environmental Data

| | |
|---------------------|--------------------------------------|
| Temperature Range | -55°C to +165°C |
| Thermal shock | MIL-STD-202, Method 107, Condition B |
| Corrosion | MIL-STD-202, Method 101, Condition B |
| Vibration | MIL-STD-202, Method 204, Condition D |
| Shock | MIL-STD-202, Method 213, Condition I |
| Moisture Resistance | MIL-STD-202, Method 106 |
| RoHS | compliant |

Suitable Cable

RG316D, RD316

Packing

Single or 100