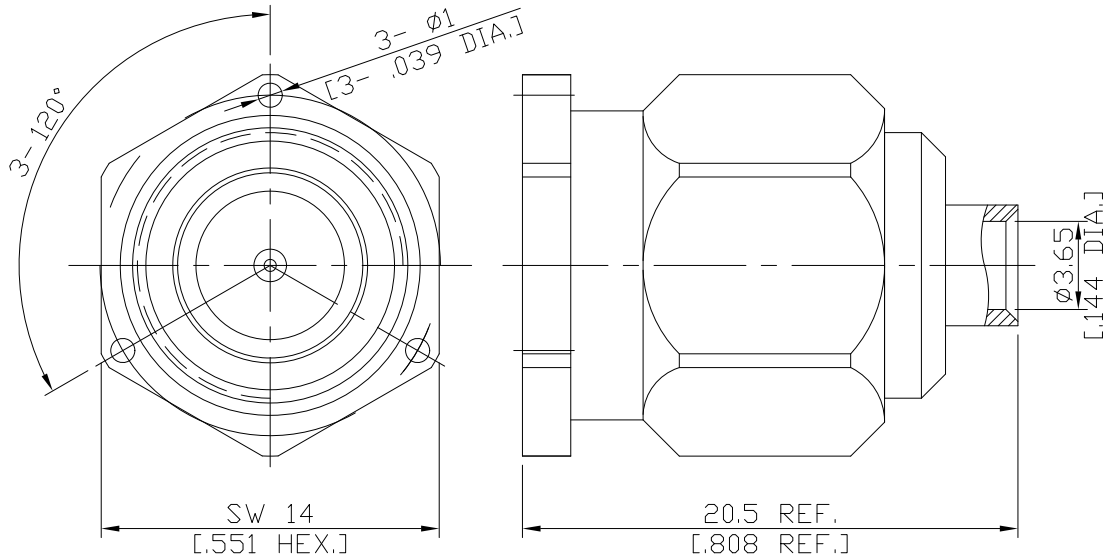


Precision TNC Plug (Male) Straight Solder Connector for .141 ,  
DC - 18 GHz, VSWR 1.2

**PCT1E50-0141A / 1XX**



All dimensions are in mm [inch]  
Tolerances according to DIN ISO 2768-mH

**Interface**

According to IEC 61169-26; CECC 22 200; MIL-PRF-39012; MIL-STD-348B/406

**Electrical Data**

Impedance	50 Ω
Frequency	DC to 18 GHz
VSWR (Return Loss)	≤ 1.2 (≥ 20.83 dB)
Insertion Loss	≤ 0.05 dB
Insulation Resistance	≥ 5 GΩ
Center Contact Resistance	≤ 1.5 mΩ
Outer Contact Resistance	≤ 1.0 mΩ
Test Voltage	1500 V rms
Working Voltage	500 V rms

*-VSWR in application depends decisive on cable assembly process-*

**Material And Plating**

Piece Parts	Material	Plating
Centre Contact	Brass	Gold plating (Non-magnetic nickel-phosphorus underplating)
Body	Stainless Steel	Passivated
Insulator	PTFE	
Gasket	Gasket	
Coupling nut	Stainless Steel	Passivated

Precision TNC Plug (Male) Straight Solder Connector for .141 ,  
DC - 18 GHz, VSWR 1.2

**PCT1E50-0141A / 1XX**

**Mechanical Data**

Coupling Mechanisms	Screw-Lock
Mating Cycles	≥ 500
Center Contact Captivation: axial	≥ 15 N
Coupling Test Torque	Max. 1.7 Nm
Recommended Torque	0.46 Nm to 0.69 Nm
Centre Contact	Soldered
Cable Entry	Soldered

**Environmental Data**

Temperature Range	-65°C to +165°C
Thermal Shock	MIL-STD-202, Method 107, Condition B
Corrosion	MIL-STD-202, Method 101, Condition B
Vibration	MIL-STD-202, Method 204, Condition D
Shock	MIL-STD-202, Method 213, Condition I
Moisture Resistance	MIL-STD-202, Method 106
RoHS	compliant

**Suitable Cables**

RSR141, RSF141, EF402, .141 Cables, RG402

**Packing**

Single or 100