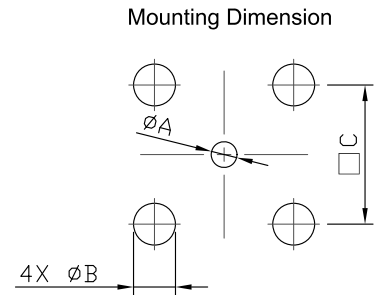
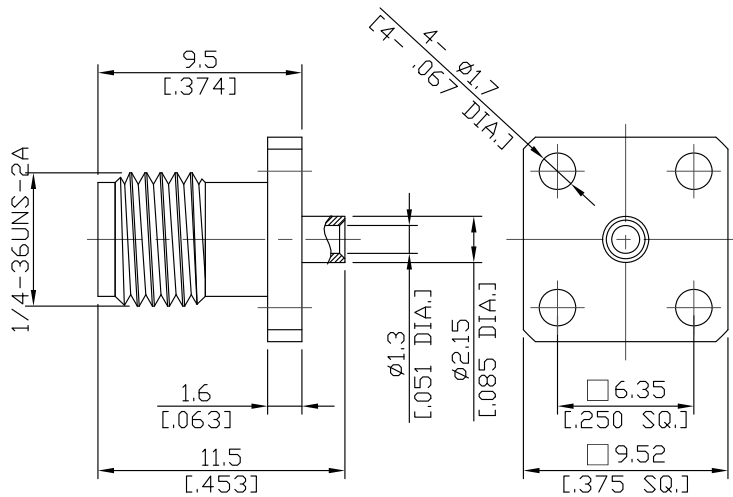


Precision SMA Jack (Female) Connector Solder Attachment, 4 Hole Flange Mount for .047 Cable, 6.35mm (.250 inch) Hole Spacing, DC-27 GHz, VSWR 1.3

PCA2EBF50-0047B1 / 9Q



	mm		inch	
	Max.	Min.	Max.	Min.
A	2.6	2.5	.102	.098
B	1.9	1.8	.075	.071
C	6.4	6.3	.252	.248

All dimensions are in mm [inch]

Tolerances according to DIN ISO 2768-mH

Interface

According to IEC 60169-15; CECC 22110; MIL-PRF-39012; MIL-STD-348B/310; EN 122110

Electrical Data

Impedance	50 Ω
Frequency	DC to 27 GHz
VSWR (Return Loss)	≤ 1.3 (≥ 17.69 dB)
Insertion Loss	≤ 0.04 x √F (GHz) dB
Insulation Resistance	≥ 5 GΩ
Center Contact Resistance	≤ 3 mΩ
Outer Contact Resistance	≤ 2 mΩ
Test Voltage	1000 V rms
Working Voltage (at sea level)	480 V rms
Power Handling (at 20 °C, sea level, VSWR 1.0)	≤ 200 W @ 2 GHz
-VSWR in application depends decisive on cable assembly process-	

Material And Plating

Piece Parts	Material	Plating
Centre contact	Beryllium Copper	Gold plating (Non-magnetic nickel-phosphorus underplating)
Body	Stainless Steel	Gold plating (Non-magnetic nickel-phosphorus underplating)
Insulator	PTFE	

Precision SMA Jack (Female) Connector Solder Attachment, 4 Hole Flange Mount for .047 Cable, 6.35mm (.250 inch) Hole Spacing, DC-27 GHz, VSWR 1.3

PCA2EBF50-0047B1 / 9Q

Mechanical Data

Coupling mechanisms	Screw-On
Mating Cycles	≥ 500
Centre Contact	Soldered
Cable Entry	Soldered
Captivated Type	Mechanical
Coupling nut retention	≥ 270 N
Center Contact Captivation: axial	≥ 27 N
Coupling Test Torque	max. 1.7 Nm
Recommended Torque	0.8 Nm to 1.1 Nm

Environmental Data

Temperature Range	-65°C to +165°C
Thermal shock	MIL-STD-202, Meth. 107, Cond. B
Corrosion	MIL-STD-202, Meth. 101, Cond. B
Vibration	MIL-STD-202, Meth. 204, Cond.D
Shock	MIL-STD-202, Meth. 213, Cond. I
Moisture Resistance	MIL-STD-202, Meth. 106
RoHS	compliant

Suitable Cables

RSR047, RSF047, RSF047-FEP, RSF047-PVC, EF047

Packing

Single or 100