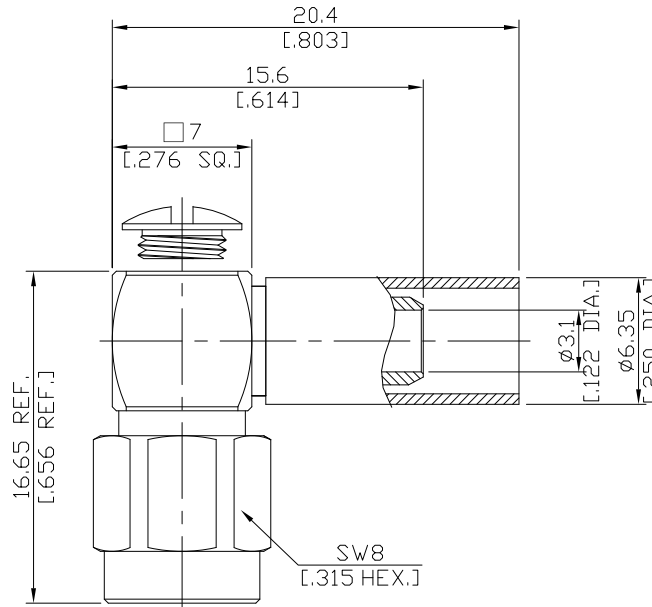


Non-Magnetic SMA Plug (Male) Right Angle Connector Crimp / Contact Pin Solder Attachment for RG58 DC-3GHz VSWR 1.2

NM-SMA1C59-G058A / 111



All dimensions are in mm [inch]

Tolerances according to DIN ISO 2768-mH

Interface

According to

IEC 60169-15; CECC 22110; MIL-PRF-39012; MIL-STD-348B/310; EN 122110

Electrical Data

Impedance	50 Ω
Frequency	DC to 3 GHz
VSWR (Return Loss)	≤ 1.20 (≥ 20.83 dB)
Insertion Loss	≤ 0.04 × √F (GHz) dB
Insulation Resistance	≥ 5 GΩ
Center Contact Resistance	≤ 3 mΩ
Outer Contact Resistance	≤ 2 mΩ
Test Voltage	1000 V rms
Working Voltage	480 V rms
Power handling (at 20 °C, sea level)	≤ 200 W @ 2 GHz

-VSWR in application depends decisive on cable assembly process-

Material And Plating

Piece Parts	Material	Plating
Centre contact	Brass	Gold plating (Non-magnetic nickel-phosphorus underplating)
Body	Brass	Gold plating (Non-magnetic nickel-phosphorus underplating)
Insulator	PTFE	
Gasket	Silicone Rubber	
Coupling nut	Brass	Gold plating (Non-magnetic nickel-phosphorus underplating)
Crimp ferrules	Brass	Gold plating (Non-magnetic nickel-phosphorus underplating)

Non-Magnetic SMA Plug (Male) Right Angle Connector Crimp / Contact Pin Solder Attachment for RG58 DC-3GHz VSWR 1.2

NM-SMA1C59-G058A / 111

Mechanical Data

Coupling Mechanisms	Screw-Lock
Mating Cycles	≥ 500
Center contact captivation: axial	≥ 27 N
Coupling Test Torque	max. 1.7 Nm
Recommended Torque	0.57 Nm
Centre Contact	Soldered or Crimped
Cable Entry	Crimped

Environmental Data

Temperature Range	-65°C to +165°C
Thermal Shock	MIL-STD-202, Method 107, Condition B
Corrosion	MIL-STD-202, Method 101, Condition B
Vibration	MIL-STD-202, Method 204, Condition D
Shock	MIL-STD-202, Method 213, Condition I
Moisture Resistance	MIL-STD-202, Method 106
RoHS	compliant

Suitable Cables

RG58, RG303, RG141, LMR195, RNL195

Packing

Single or 100