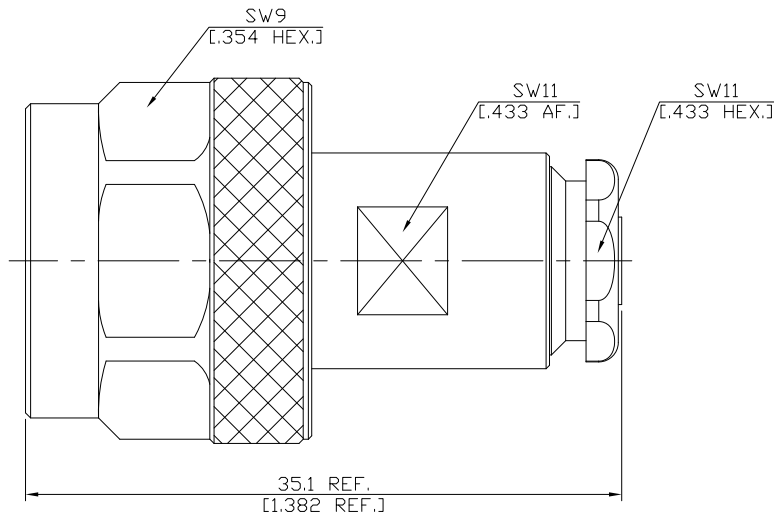


N Plug (Male) Connector Clamp/Solder Attachment For .141, DC-11 GHz, VSWR 1.2

## N1K50-0141A / 144



All dimensions are in mm [inch]

Tolerances according to DIN ISO 2768-mH

### Interface

According to IEC 60169-16; MIL-STD-348B/304; CECC 22210; MIL-PRF-39012

### Electrical Data

Impedance	50 Ω	
Frequency	DC to 11 GHz	
VSWR (Return Loss)	≤ 1.2 (≥ 20.83 dB)	
Insertion Loss	≤ 0.05 × √F (GHz) dB	
Insulation Resistance	≥ 5 × 10 <sup>3</sup> MΩ	
Center Contact Resistance	≤ 1 mΩ	
Outer Contact Resistance	≤ 0.25 mΩ	
Working Voltage (at sea level)	500 V rms	
Power handling	1000 W @ 1 GHz	700 W @ 2 GHz
RF-leakage	≥ 128 dB up to 1 GHz	

-VSWR in application depends decisive on cable assembly process-

### Material And Plating

Piece Parts	Material	Plating
Centre contact	Brass	Gold plating (Non-magnetic nickel-phosphorus underplating)
Body	Brass	Copper-Tin-Zinc Alloy
Insulator	PTFE	
Gasket	Silicone Rubber	
Coupling nut	Brass	Copper-Tin-Zinc Alloy

N Plug (Male) Connector Clamp/Solder Attachment For .141, DC-11 GHz, VSWR 1.2

## N1K50-0141A / 144

### Mechanical Data

Coupling mechanisms	Screw-lock
Mating Cycles	min. 500
Centre Contact	Soldered
Cable entry	Solder Clamp
Coupling nut retention	≥450 N
Coupling Test Torque	max. 1.7 Nm
Recommended Torque	1.0 Nm

### Environmental Data

Temperature Range	-65°C to +165°C
Thermal shock	MIL-STD-202, Meth. 107, Cond. B
Corrosion	MIL-STD-202, Meth. 101, Cond. B
Vibration	MIL-STD-202, Meth. 204, Cond. B
Shock	MIL-STD-202, Meth. 213, Cond. I
Moisture Resistance	MIL-STD-202, Meth. 106
RoHS	compliant

### Suitable Cables

.141 RSF, .141 RSR, RG402, EF402

### Packing

Single or 100