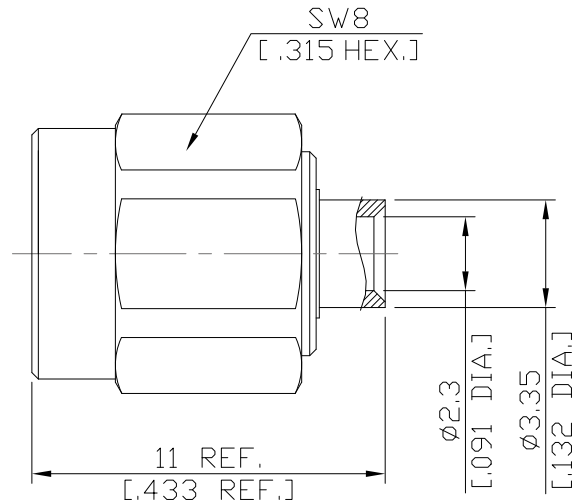


2.92mm Plug (Male) Connector Solder / Contact Pin Plug-in Attachment
for .085, .086, DC-40 GHz , VSWR 1.2

K1E50-EZ0085A / 9XX



All dimensions are in mm [inch]
Tolerances according to DIN ISO 2768-mH

Interface

According to IEC 61169-35; IEEE Std 287
Mechanically Compatible with 3.5mm and SMA

Electrical Data

Impedance 50 Ω
Frequency DC to 40 GHz
VSWR (Return Loss) ≤ 1.20 (≥ 20.83 dB)
Insertion Loss ≤ 0.04 x √F (GHz) dB
Insulation Resistance ≥ 5 GΩ
Center Contact Resistance ≤ 3.0 mΩ
Outer Contact Resistance ≤ 2.0 mΩ
Test Voltage (at sea level) 750 V rms
Working Voltage (at sea level) 250 V rms
RF Leakage ≥ 100 dB up to 1 GHz

-VSWR in application depends decisive on cable assembly process-

Material And Plating

Piece Parts	Material	Plating
Centre contact	Beryllium Copper	Gold plating (Non-magnetic nickel-phosphorus underplating)
Body	Stainless Steel	Passivated
Insulator	PEI	
Gasket	Silicone Rubber	
Coupling nut	Stainless Steel	Passivated

The facts and figures herein are carefully compiled to the best of our knowledge, but they are intended for general informational purposes only. In the effort to improve our products, we reserve the right to make changes judged to be necessary.

Rev.:
Date:
MAR/17/2025

Rosnol RF/Microwave Technology Co., Ltd.
www.rosnol.com; info@rosnol.com
Phone: +886-3-463-5095 / Fax: +886-3-463-5952
N-CAGE Code: SFKK0 / ISO9001 Certified

Page
1/2

2.92mm Plug (Male) Connector Solder / Contact Pin Plug-in Attachment
for .085, .086, DC-40 GHz , VSWR 1.2

K1E50-EZ0085A / 9XX

Mechanical Data

Coupling mechanisms	Screw-On
Mating Cycles	≥ 500
Coupling Test Torque	1.7 Nm
Recommended Torque	0.80 Nm to 1.10 Nm
Center contact captivation	≥ 20 N
Centre contact	Plug-in
Cable entry	Soldered

Environmental Data

Temperature Range	-65°C to +165°C
Thermal Shock	MIL-STD-202, Meth. 107, Cond. B
Corrosion	MIL-STD-202, Meth. 101, Cond. B
Vibration	MIL-STD-202, Meth. 204, Cond. D
Shock	MIL-STD-202, Meth. 213, Cond. I
Moisture Resistance	MIL-STD-202, Meth. 106
RoHS	compliant

Suitable Cables

.085, .086, RG405; Rosnol RSR-085, RSF-085, EF405

Packing

Single or 100