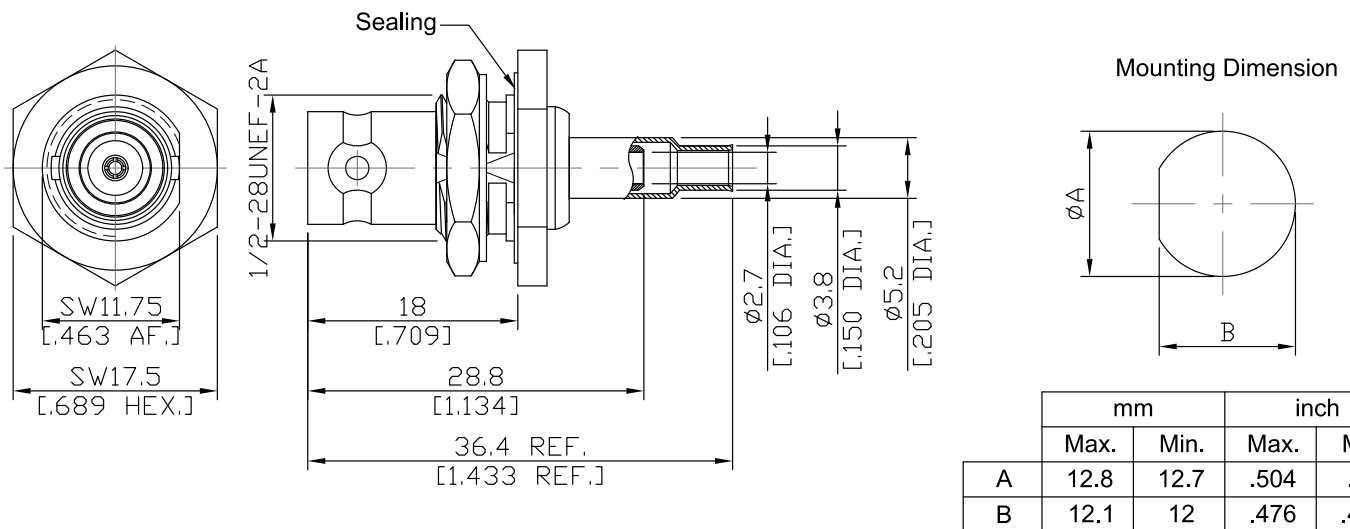


BNC Jack (Female) Straight Bulkhead Connector Crimp / Contact Pin Solder or Crimp Attachment for RG316, DC-4 GHz

BNC2CA50-G316C / H3



All dimensions are in mm [inch]
Tolerances according to DIN ISO 2768-mH

Interface

According to IEC 61169-8; CECC 22120; MIL-PRF-39012; MIL-STD-348B/301; BS 9210 N 004

Electrical Data

| | |
|--|--------------------------------------|
| Impedance | 50 Ω |
| Frequency | DC to 4 GHz |
| VSWR (Return Loss) | N/A |
| Insertion Loss | $\leq 0.05 \times \sqrt{F}$ (GHz) dB |
| Insulation Resistance | ≥ 5 G Ω |
| Center contact resistance | ≤ 1.5 m Ω |
| Outer contact resistance | ≤ 1 m Ω |
| Test Voltage (at sea level) | 1500 V rms |
| Working Voltage (at sea level) | 400 V rms |
| Power handling (at 20 °C, sea level, VSWR 1.0) | ≤ 80 W @ 2 GHz |

-VSWR in application depends decisive on cable assembly process-

Material And Plating

| Piece Parts | Material | Plating |
|----------------|-----------------|---|
| Centre Contact | Phosphor Bronze | Gold plating (Non-magnetic nickel-phosphorus underplating) |
| Body | Brass | Nickel |
| Insulator | PTFE | |
| Washer | Brass | Nickel |
| Fastening nut | Brass | Nickel |
| Crimp ferrules | Brass | Nickel |

BNC Jack (Female) Straight Bulkhead Connector Crimp / Contact Pin Solder or Crimp Attachment for RG316, DC-4 GHz

BNC2CA50-G316C / H3

Mechanical Data

| | |
|---------------------|---------------------|
| Coupling mechanisms | Bayonet-Lock |
| Mating Cycles | ≥ 500 |
| Centre contact | Soldered or Crimped |
| Cable entry | Crimped |

Environmental Data

| | |
|---------------------|--------------------------------------|
| Temperature Range | -65°C to +165°C |
| Thermal shock | MIL-STD-202, Method 107, Condition B |
| Corrosion | MIL-STD-202, Method 101, Condition B |
| Vibration | MIL-STD-202, Method 204, Condition B |
| Shock | MIL-STD-202, Method 213, Condition G |
| Moisture Resistance | MIL-STD-202, Method 106 |
| RoHS | compliant |

Suitable Cable

RG316, RG174, RG188

Packing

Single or 100