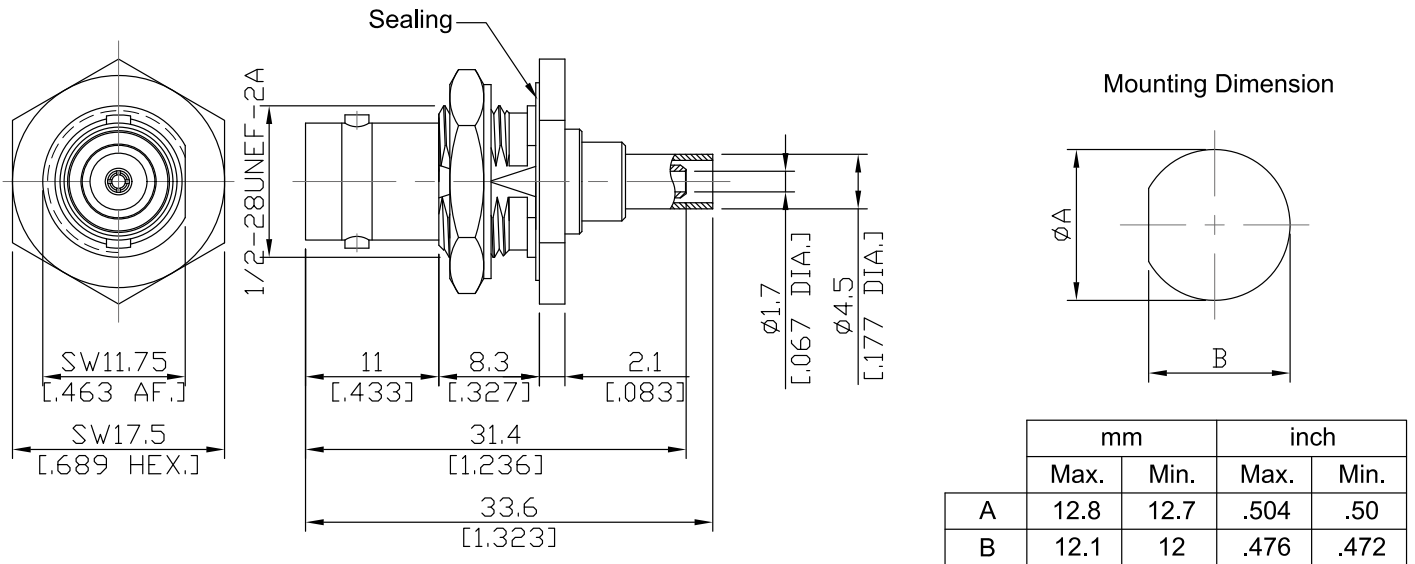


**BNC Jack (Female) Straight Bulkhead Connector Crimp / Contact Pin Solder or Crimp
Attachment for RG316D, DC-4 GHz, VSWR 1.22**

BNC2CA50-D316A / H3



All dimensions are in mm [inch]
Tolerances according to DIN ISO 2768-mH

Interface

According to IEC 61169-8; CECC 22120; MIL-PRF-39012; MIL-STD-348B/301; BS 9210 N 004

Electrical Data

Impedance	50 Ω
Frequency	DC to 4 GHz
VSWR (Return Loss)	≤ 1.22 (≥ 20.08 dB)
Insertion Loss	$\leq 0.05 \times \sqrt{F}$ (GHz) dB
Insulation Resistance	≥ 5 G Ω
Center contact resistance	≤ 1.5 m Ω
Outer contact resistance	≤ 1 m Ω
Test Voltage (at sea level)	1500 V rms
Working Voltage (at sea level)	400 V rms
Power handling (at 20 °C, sea level, VSWR 1.0)	≤ 80 W @ 2 GHz

-VSWR in application depends decisive on cable assembly process-

Material And Plating

Piece Parts	Material	Plating
Centre Contact	Phosphor Bronze	Gold plating (Non-magnetic nickel-phosphorus underplating)
Body	Brass	Nickel
Insulator	PTFE	
Washer	Brass	Nickel
Fastening nut	Brass	Nickel
Crimp ferrules	Brass	Nickel

BNC Jack (Female) Straight Bulkhead Connector Crimp / Contact Pin Solder or Crimp Attachment for RG316D, DC-4 GHz, VSWR 1.22

BNC2CA50-D316A / H3

Mechanical Data

Coupling mechanisms	Bayonet-Lock
Mating Cycles	≥ 500
Centre contact	Soldered or Crimped
Cable entry	Crimped

Environmental Data

Temperature Range	-65°C to +165°C
Thermal shock	MIL-STD-202, Method 107, Condition B
Corrosion	MIL-STD-202, Method 101, Condition B
Vibration	MIL-STD-202, Method 204, Condition B
Shock	MIL-STD-202, Method 213, Condition G
Moisture Resistance	MIL-STD-202, Method 106
RoHS	compliant

Suitable Cable

RG316D, RD316

Packing

Single or 100