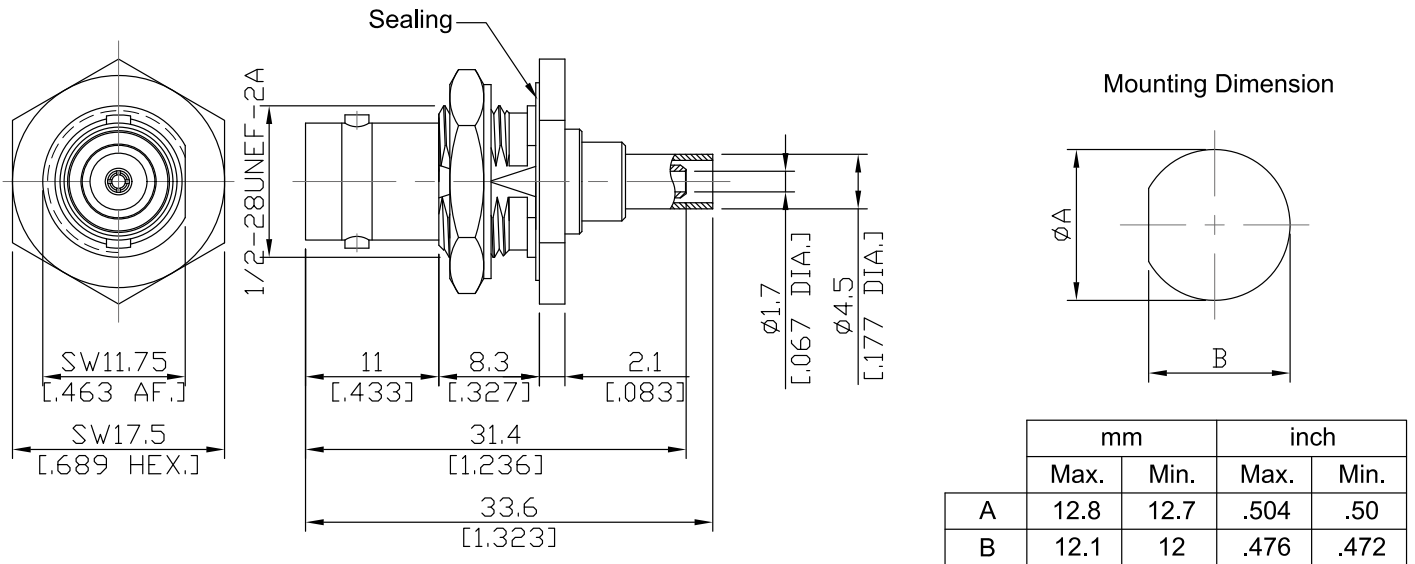


BNC Jack (Female) Straight Bulkhead Connector Crimp / Contact Pin Solder or Crimp  
Attachment for RG316D, DC-4 GHz, VSWR 1.22

**BNC2CA50-D316A / 94**



All dimensions are in mm [inch]  
Tolerances according to DIN ISO 2768-mH

**Interface**

According to IEC 61169-8; CECC 22120; MIL-PRF-39012; MIL-STD-348B/301; BS 9210 N 004

**Electrical Data**

Impedance	50 Ω
Frequency	DC to 4 GHz
VSWR (Return Loss)	≤ 1.22 (≥ 20.08 dB)
Insertion Loss	≤ 0.05 × √F (GHz) dB
Insulation Resistance	≥ 5 GΩ
Center contact resistance	≤ 1.5 mΩ
Outer contact resistance	≤ 1 mΩ
Test Voltage (at sea level)	1500 V rms
Working Voltage (at sea level)	400 V rms
Power handling (at 20 °C, sea level, VSWR 1.0)	≤ 80 W @ 2 GHz

-VSWR in application depends decisive on cable assembly process-

**Material And Plating**

Piece Parts	Material	Plating
Centre Contact	Beryllium Copper	Gold plating (Non-magnetic nickel-phosphorus underplating)
Body	Brass	Copper-Tin-Zinc Alloy
Insulator	PTFE	
Washer	Brass	Copper-Tin-Zinc Alloy
Fastening nut	Brass	Copper-Tin-Zinc Alloy
Crimp ferrules	Brass	Copper-Tin-Zinc Alloy

BNC Jack (Female) Straight Bulkhead Connector Crimp / Contact Pin Solder or Crimp Attachment for RG316D, DC-4 GHz, VSWR 1.22

## BNC2CA50-D316A / 94

### Mechanical Data

Coupling mechanisms	Bayonet-Lock
Mating Cycles	≥ 500
Centre contact	Soldered or Crimped
Cable entry	Crimped

### Environmental Data

Temperature Range	-65°C to +165°C
Thermal shock	MIL-STD-202, Method 107, Condition B
Corrosion	MIL-STD-202, Method 101, Condition B
Vibration	MIL-STD-202, Method 204, Condition B
Shock	MIL-STD-202, Method 213, Condition G
Moisture Resistance	MIL-STD-202, Method 106
RoHS	compliant

### Suitable Cable

RG316D, RD316

### Packing

Single or 100