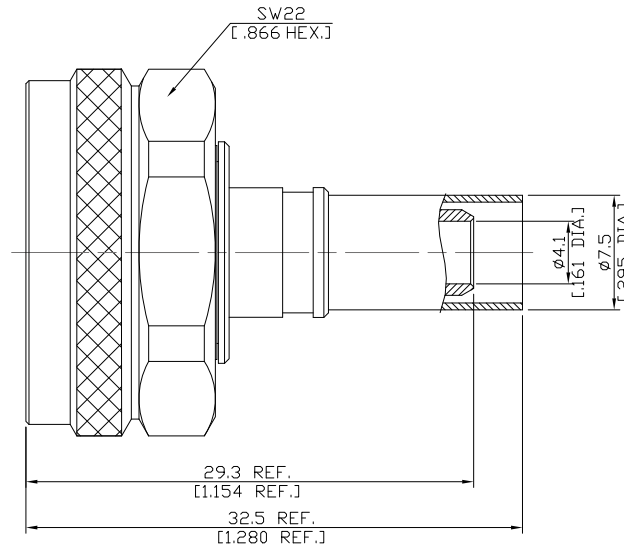


4.3-10 Plug (Male) Connector Crimp / Contact Pin Soldered or Crimped  
Attachment for LMR-240, DC-6 GHz, VSWR 1.3

**4310-1C50-R240A / 144**



All dimensions are in mm [inch]

Tolerances according to DIN ISO 2768-mH

**Interface**

According to IEC 61169-54

**Electrical Data**

Impedance	50 Ω
Frequency	DC to 6 GHz
VSWR (Return Loss)	≤ 1.30 (≥ 17,69 dB)
Insertion Loss	≤ 0.05 x √F (GHz) dB
Insulation Resistance	≥ 5 GΩ
Center Contact Resistance	≤ 1 mΩ
Outer Contact Resistance	≤ 1 mΩ
Test Voltage	2500 V rms
Working Voltage	500 V rms
Power handling (at 20 °C, sea level)	500 W @ 2 GHz

-VSWR in application depends decisive on cable assembly process-

**Material And Plating**

Piece Parts	Material	Plating
Centre contact	Brass	Gold plating (Non-magnetic nickel-phosphorus underplating)
Body	Brass	Copper-Tin-Zinc Alloy
Insulator	PTFE	
Gasket	Silicone Rubber	
Coupling nut	Brass	Copper-Tin-Zinc Alloy
Ferrule	Brass	Copper-Tin-Zinc Alloy

The facts and figures herein are carefully compiled to the best of our knowledge, but they are intended for general informational purposes only. In the effort to improve our products, we reserve the right to make changes judged to be necessary.

Rev.:  
Date:  
FEB/10/2026

Rosnol RF/Microwave Technology Co., Ltd.  
[www.rosnol.com](http://www.rosnol.com); [info@rosnol.com](mailto:info@rosnol.com)  
Phone: +886-3-463-5095 / Fax: +886-3-463-5952  
N-CAGE Code: SFKK0 / ISO9001 Certified

Page

1/2

4.3-10 Plug (Male) Connector Crimp / Contact Pin Soldered or Crimped  
Attachment for LMR-240, DC-6 GHz, VSWR 1.3

**4310-1C50-R240A / 144**

**Mechanical Data**

Coupling Mechanisms	Screw-On
Mating Cycles	≥ 100
Recommended Torque	≥ 2.5 Nm
Centre Contact	Soldered or Crimped
Cable Entry	Crimped

**Environmental Data**

Temperature Range	-65°C to +165°C
Thermal Shock	IEC 61169-1 9.4.4
Corrosion	ISO 21207 method B
Vibration	IEC 61169-1 9.3.3 and IEC 60068-2-64
Shock	IEC 61169-1 9.3.14
RoHS	compliant

**Suitable Cables**

LMR240, RNL240

**Packing**

Single or 100