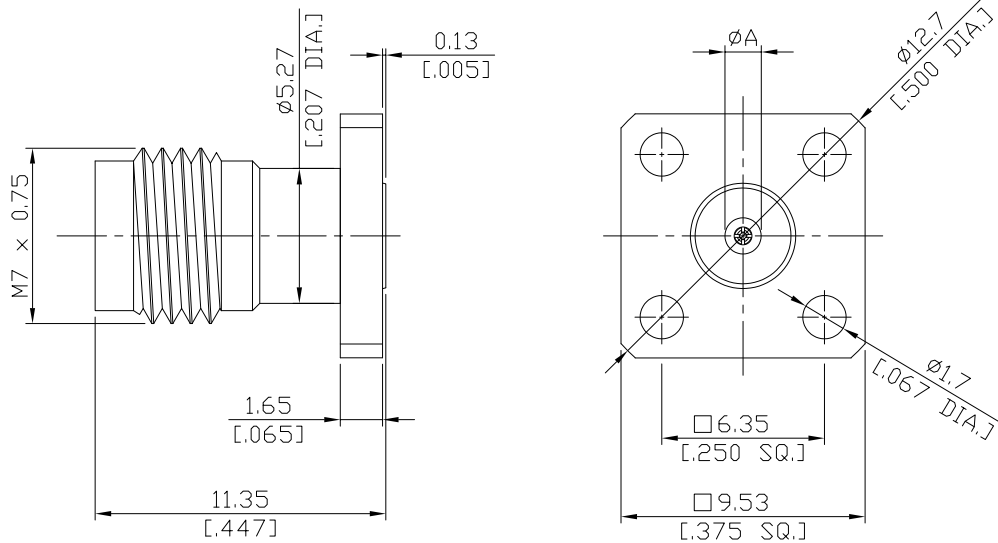


1.85mm Straight Field Replaceable Jack

V2BF50-0012B/9X



P/N	Accept Pin mm [inch]	Max. Pin Depth mm [inch]	ØA mm [inch]
V2BF50-0012B/9X	0.30 [0.012]	1.65 [0.065]	1.42 [0.056]
V2BF50-0009B/9X	0.23 [0.009]	1.65 [0.065]	1.19 [0.047]

All dimensions are in mm [inch]

Tolerances according to DIN ISO 2768-mH

Interface

According to IEC 61169-32

Electrical Data

Impedance 50 Ω
 Frequency DC to 67 GHz
 VSWR (Return loss) ≤ 1.25 (≥ 19.08 dB) up to 67 GHz

Mechanical Data

Coupling mechanisms Screw-lock
 Weight N/A

Environmental Data

Temperature range -55°C to +165°C
 RoHS compliant

Material And Plating

Piece Parts	Material	Plating
Centre contact	Beryllium Copper	Gold plating(Nickel underplated)
Body	Stainless Steel	Passivated
Insulator	PS	

Packing

Single or 100