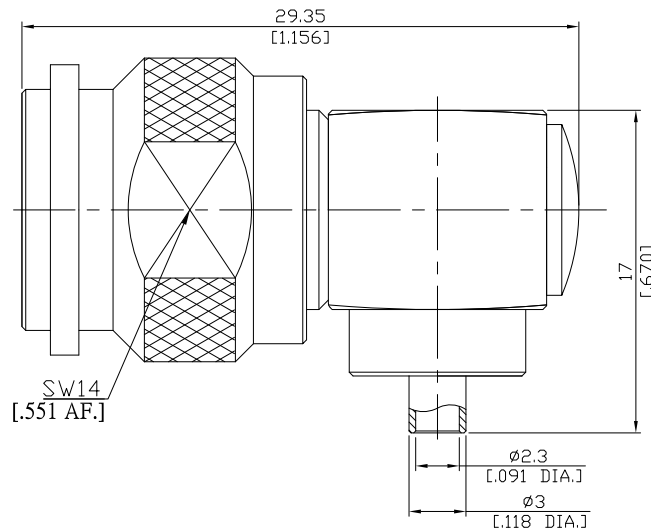


## TNC Right Angle Cable Plug

## TNC1E59-0085A/1XX



All dimensions are in mm [inch]  
Tolerances according to DIN ISO 2768-mH

**Interface**  
According to MIL-C-39012;MIL-STD-348A/313

**Electrical Data**  
Impedance 50 Ω  
Frequency DC to 11 GHz

*- Limitations are possible due to the used cable type -*

**Mechanical Data**  
Coupling mechanisms Screw-lock  
Centre contact Soldered  
Cable entry Soldered

**Environmental Data**  
Temperature range -65°C to +165°C  
RoHS compliant

**Material And Plating**

Connector parts	Material	Plating
Centre contact	Brass	Gold plating(Nickel underplated)
Body	Stainless Steel	Passivated
Insulator	PTFE	
Gasket	Silicone Rubber	
Coupling nut	Stainless Steel	Passivated

**Suitable Cables**  
RSR-085, RSF-085, RSF-0485-FEP, UT 85, RG 405/U, RTK- FS 085, RTK- Flex 405, BELDEN 1671A

**Packing**  
Single or 100