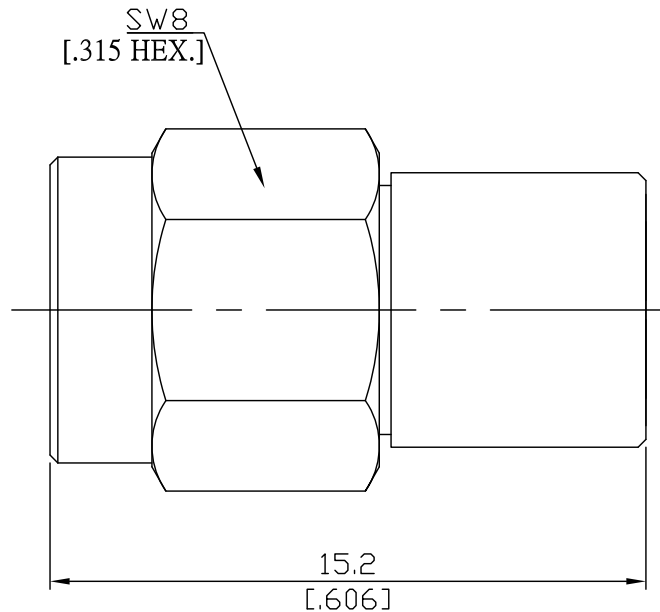




Precision SMA (Male)
Termination Plug, 27 GHz, 2 W

T-PCA15-27G2WA/911



All dimensions are in mm [inch]

Tolerances according to DIN ISO 2768-mH

Interface

According to IEC 60169-15; MIL-STD-348B/310

Electrical Data

Impedance 50 Ω
Interface frequency max. DC to 27 GHz
VSWR (Return loss) ≤ 1.20 (≥ 20.83 dB)
Power rating (Watt) 2 W

Mechanical Data

Coupling mechanisms Screw-lock
Weight N/A

Environmental Data

Temperature range -55°C to +125°C
RoHS compliant

Material And Plating

Connector parts	Material	Plating
Centre contact	Beryllium Copper	Gold plating(Nickel underplated)
Body	Brass	Gold plating(Nickel underplated)
Insulator	PTFE/PEI	
Gasket	Silicone Rubber	
Coupling nut	Brass	Gold plating(Nickel underplated)

Packing

Single or 100