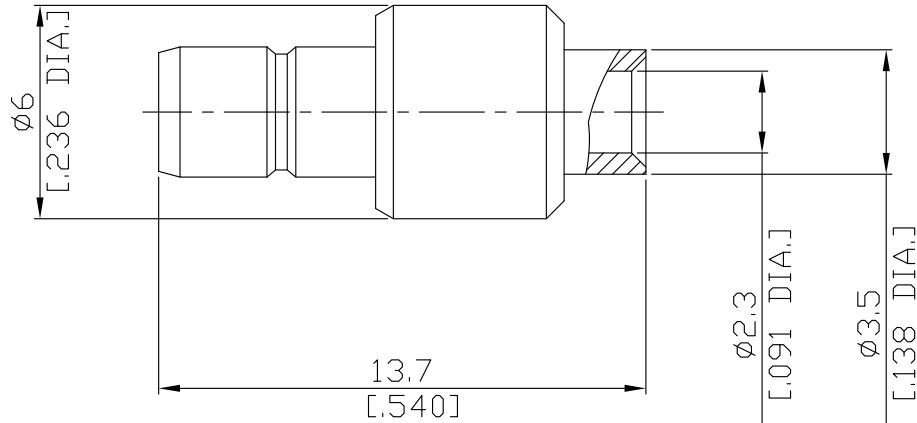


SMB Straight Cable Jack

SMB2E50-0085A/11



All dimensions are in mm [inch]

Interface

According to IEC 60169-10; MIL-C-39012; MIL-STD-348A/311

Electrical Data

Impedance 50 Ω
 Frequency DC to 12.4 GHz
 VSWR (Return Loss) ≤ 1.05 (≥ 32.3 dB), DC to 1 GHz
 ≤ 1.07 (≥ 29.4 dB), 1 to 4 GHz
 Insertion Loss ≤ 0.1 × √F [GHz] dB

- Limitations are possible due to the used cable type -

Mechanical Data

Coupling mechanisms Snap-lock
 Centre contact Soldered or Crimped
 Cable entry Soldered

Environmental Data

Temperature range -65°C to +165°C
 RoHS compliant

Material And Plating

Connector parts	Material	Plating
Centre contact	Brass	Gold plating(Nickel underplated)
Body	Brass	Gold plating(Nickel underplated)
Insulator	PTFE	

Suitable Cables

RSR-086, RSF-086, RSF-086-FEP, RSF-086-PVC, RG-405, BELDEN 1671A, BELDEN 1671

Packing

Single or 100