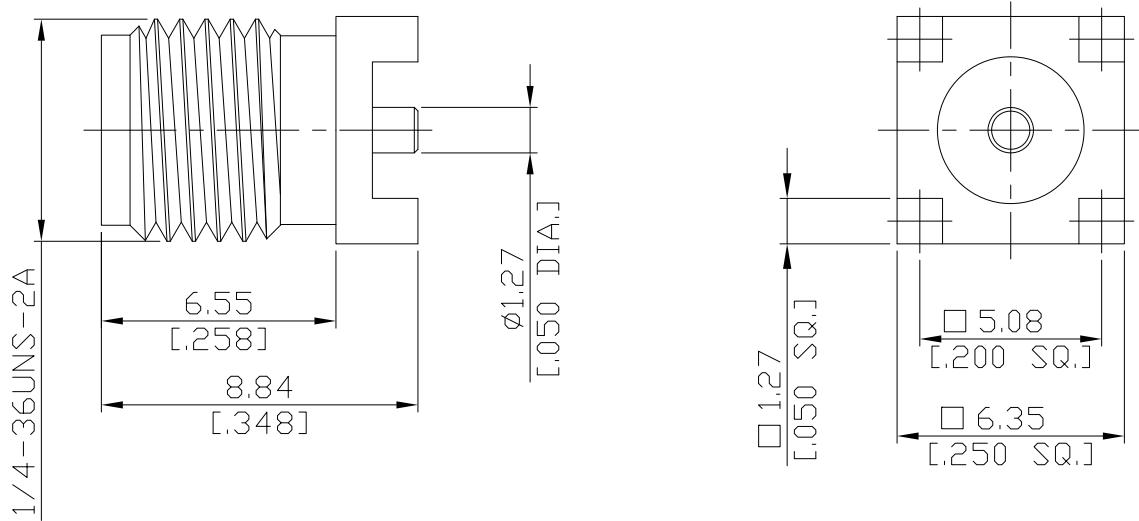




SMA Jack (Female) Connector Solder Attachment  
Surface Mount PCB

SMA2150-0884A/91



All dimensions are in mm [inch]  
Tolerances according to DIN ISO 2768-mH

**Interface**

According to IEC 61169-35; MIL-C-39012; MIL-STD-348A/310

**Electrical Data**

Impedance 50 Ω  
Frequency DC to 18 GHz

**Mechanical Data**

Coupling mechanisms Screw-lock  
Board mounting type Surface Mount  
Weight N/A

**Environmental Data**

Temperature range -65°C to +165°C  
RoHS compliant

**Material And Plating**

Connector parts	Material	Plating
Centre contact	Beryllium Copper	Gold plating(Nickel underplated)
Body	Brass	Gold plating(Nickel underplated)
Insulator	PTFE	

**Packing**

Single or 100

**Related Document**

Mounting Dimension MD92