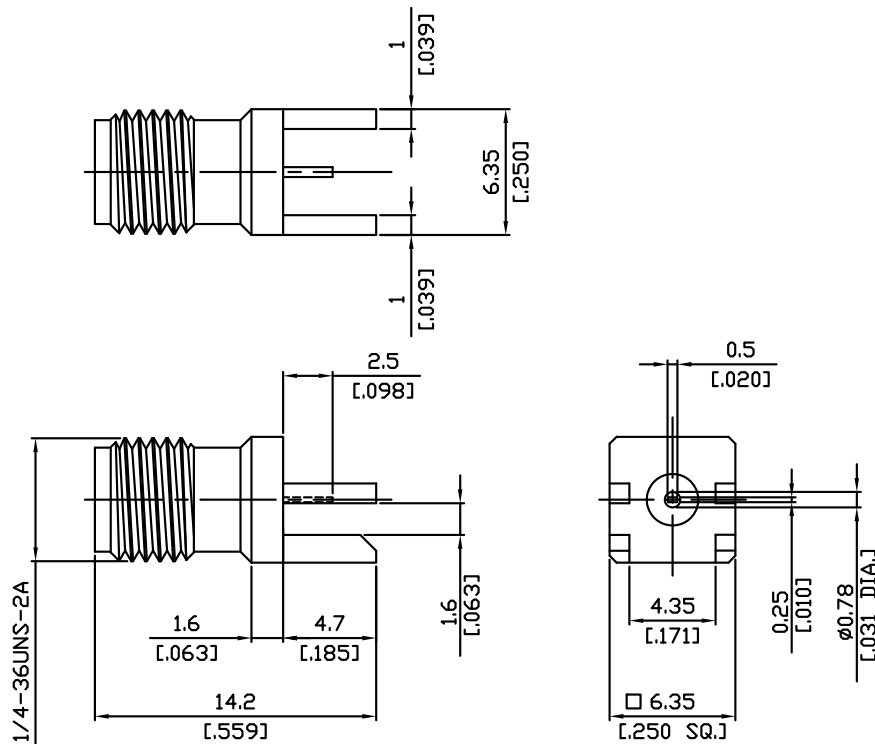


## SMA Straight PCB Jack Flat Pin

## SMA2H3B50-0160A/91



All dimensions are in mm [inch]

Tolerances according to DIN ISO 2768-mH

### Interface

According to MIL-C-39012;MIL-STD-348A/310

### Electrical Data

Impedance 50  $\Omega$   
 Frequency DC to 18 GHz

### Mechanical Data

Coupling mechanisms Screw-lock  
 Board mounting type End Launch  
 Weight 0.0015 kg

### Environmental Data

Temperature range -65°C to +165°C  
 RoHS compliant

### Material And Plating

Connector parts	Material	Plating
Centre contact	Beryllium Copper	Gold plating(Nickel underplated)
Body	Brass	Gold plating(Nickel underplated)
Insulator	PTFE	

### Packing

Single or 100

### Related Document

Mounting Dimension MD122

The facts and figures herein are carefully compiled to the best of our knowledge, but they are intended for general informational purposes only. In the effort to improve our products, we reserve the right to make changes judged to be necessary.

Rev.: Rosnol RF/Microwave Technology  
 www.rosnol.com ; info@rosnol.com  
 Date: 19/11/10  
 Phone:+886-3-463-5095  
 Fax:+886-3-463-5952

Page

1/1