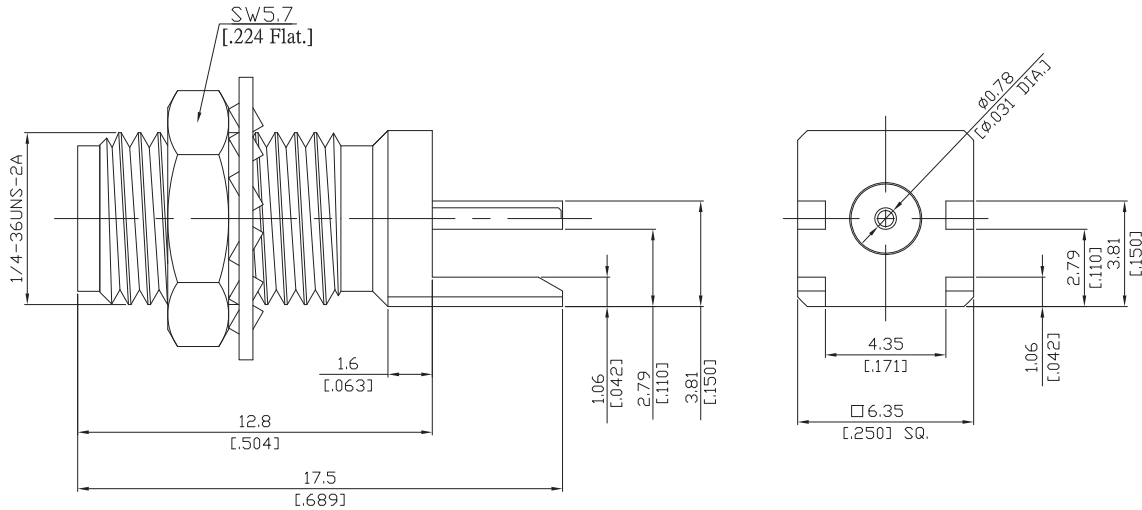




SMA Straight PCB For Bulkhead Jack

SMA2H1C50-0173B/91



All dimensions are in mm [inch]

Interface

According to IEC 60169-15; MIL-C-39012; MIL-STD-348A/310

Electrical Data

Impedance 50 Ω
Frequency DC to 18 GHz

Mechanical Data

Coupling mechanisms Screw-lock
Board mounting type End Launch
Weight 0.0020 kg

Environmental Data

Temperature range -65°C to +165°C
RoHS compliant

Material And Plating

Connector parts	Material	Plating
Centre contact	Beryllium Copper	Gold-Nickel-Phosphorus Alloy
Body	Brass	Gold-Nickel-Phosphorus Alloy
Insulator	PTFE	
Fastening nut	Brass	Gold-Nickel-Phosphorus Alloy
Washer	Brass	Gold-Nickel-Phosphorus Alloy

Packing

Single or 100

Related Document

Mounting Dimension MD29