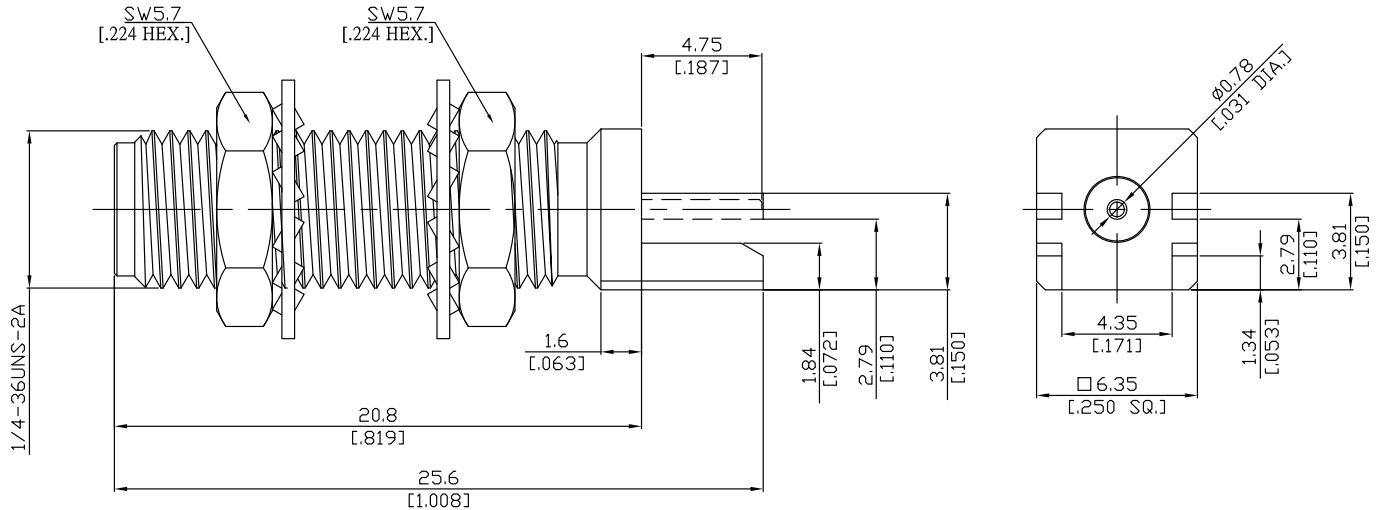


## SMA Straight PCB For Bulkhead Jack Coaxial End

# SMA2H1C50-0095A/91



All dimensions are in mm [inch]

### Interface

According to MIL-C-39012;MIL-STD-348A/310

### Electrical Data

Impedance 50 Ω  
 Frequency DC to 18 GHz

### Mechanical Data

Coupling mechanisms Screw-lock  
 Board mounting type End launch  
 Weight N/A

### Environmental Data

Temperature range -65°C to +165°C  
 RoHS compliant

### Material And Plating

Connector parts	Material	Plating
Centre contact	Beryllium Copper	Gold plating(Nickel underplated)
Body	Brass	Gold plating(Nickel underplated)
Insulator	PTFE	
Fastening nut	Brass	Gold plating(Nickel underplated)
Washer	Brass	Gold plating(Nickel underplated)

### Packing

Single or 100