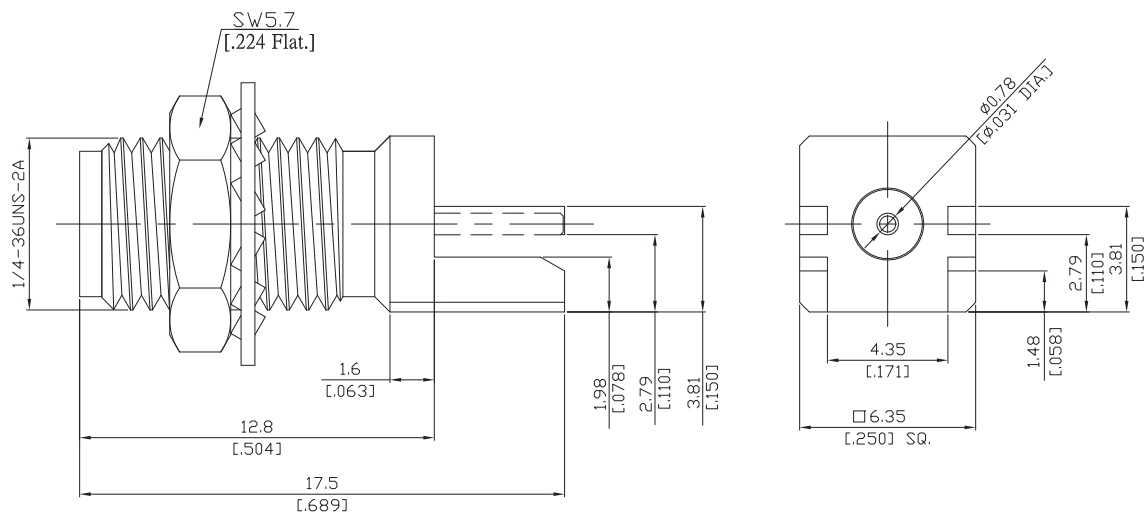


SMA Straight PCB For Bulkhead Jack

SMA2H1C50-0081A/91



All dimensions are in mm [inch]

**Interface**

According to IEC 60169-15; MIL-C-39012; MIL-STD-348A/310

**Electrical Data**

Impedance 50 Ω  
Frequency DC to 18 GHz

**Mechanical Data**

Coupling mechanisms Screw-lock  
Board mounting type End Launch  
Weight 0.0020 kg

**Environmental Data**

Temperature range -65°C to +165°C  
RoHS compliant

**Material And Plating**

Connector parts	Material	Plating
Centre contact	Beryllium Copper	Gold-Nickel-Phosphorus Alloy
Body	Brass	Gold-Nickel-Phosphorus Alloy
Insulator	PTFE	
Fastening nut	Brass	Gold-Nickel-Phosphorus Alloy
Washer	Brass	Gold-Nickel-Phosphorus Alloy

**Packing**

Single or 100