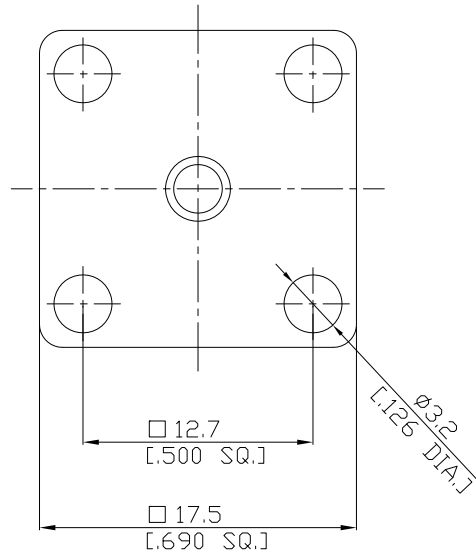
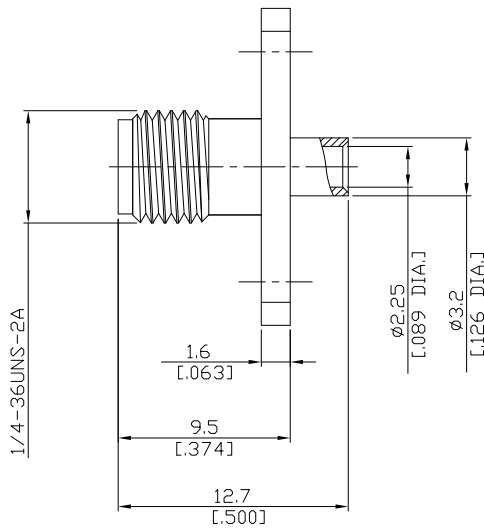




SMA Straight 4 Hole Panel Flange
Cable Jack

SMA2EBF50-0085C/91



All dimensions are in mm [inch]

Interface

According to IEC 60169-15; MIL-C-39012; MIL-STD-348A/310

Electrical Data

Impedance 50 Ω
 Frequency DC to 18 GHz
 VSWR (Return Loss) ≤ 1.25 (≥ 19.1 dB)
 Insertion Loss ≤ 0.04 × √F [GHz] dB

- Limitations are possible due to the used cable type -

Mechanical Data

Coupling mechanisms Screw-lock
 Centre contact Soldered or Crimped
 Cable entry Soldered

Environmental Data

Temperature range -65°C to +165°C
 RoHS compliant

Material And Plating

Connector parts	Material	Plating
Centre contact	Beryllium Copper	Gold plating(Nickel underplated)
Body	Brass	Gold plating(Nickel underplated)
Insulator	PTFE	

Suitable Cables

RSR 086, RSF 086, RSF 086 FEP, RSF 086 PVC, RG 405, BELDEN 1671A, BELDEN 1671J

Packing

Single or 100

Related Document

Mounting Dimension MD39