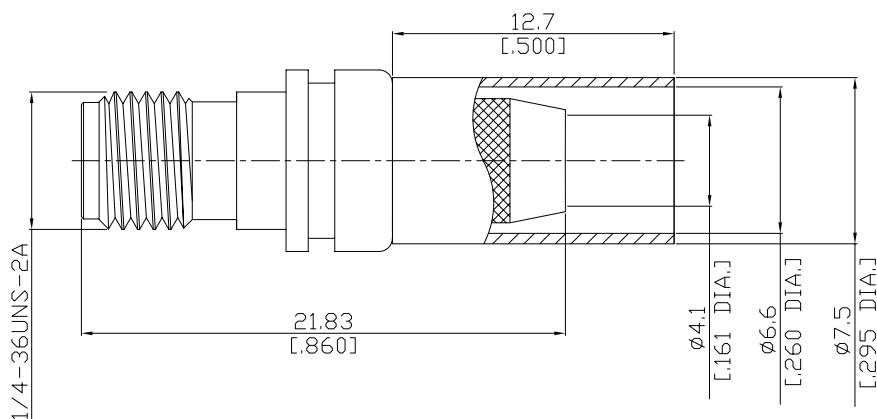


SMA(Female) Straight Cable Jack

SMA2C50-R240A/H1



All dimensions are in mm [inch]
Tolerances according to DIN ISO 2768-mH

Interface

According to IEC 60169-15; MIL-STD-348A/310

Electrical Data

Impedance 50 Ω
Frequency DC to 6 GHz
VSWR (Return Loss) ≤ 1.30 (≥ 17.69 dB)
Insertion Loss ≤ 0.05 x √F [GHz] dB

- Limitations are possible due to the used cable type and manufacturing process -

Mechanical Data

Coupling mechanisms Screw-lock
Centre contact Soldered or Crimped
Cable entry Crimped

Environmental Data

Temperature range -65°C to +165°C
RoHS compliant

Material And Plating

Connector parts	Material	Plating
Centre contact	Phosphor Bronze	Gold plating(Nickel underplated)
Body	Brass	Gold plating(Nickel underplated)
Insulator	PTFE	
Crimp ferrules	Brass	Gold plating(Nickel underplated)

Suitable Cables

LMR 240, BELDEN 7808A, BELDEN 9258, BELDEN H155, RNL-240

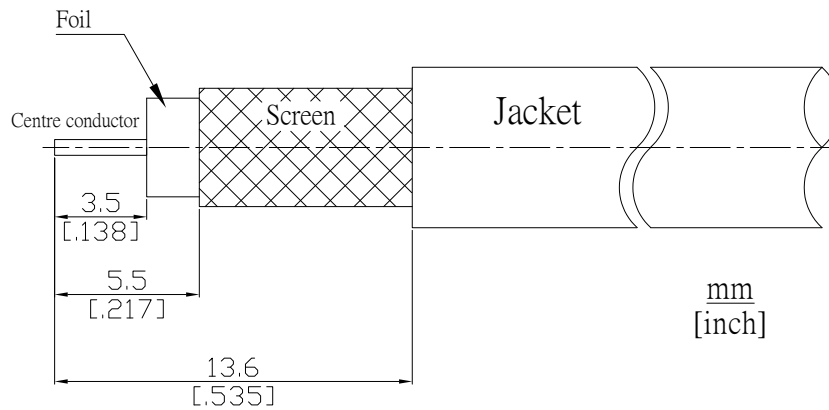
Packing

Single or 100

SMA(Female) Straight Cable Jack

SMA2C50-R240A/H1

Cable Stripping Dimensions



Crimp Dimensions [HEX]

Crimp ferrule	6.48mm [.255 inch]
Centre contact	1.73mm [.068 inch]