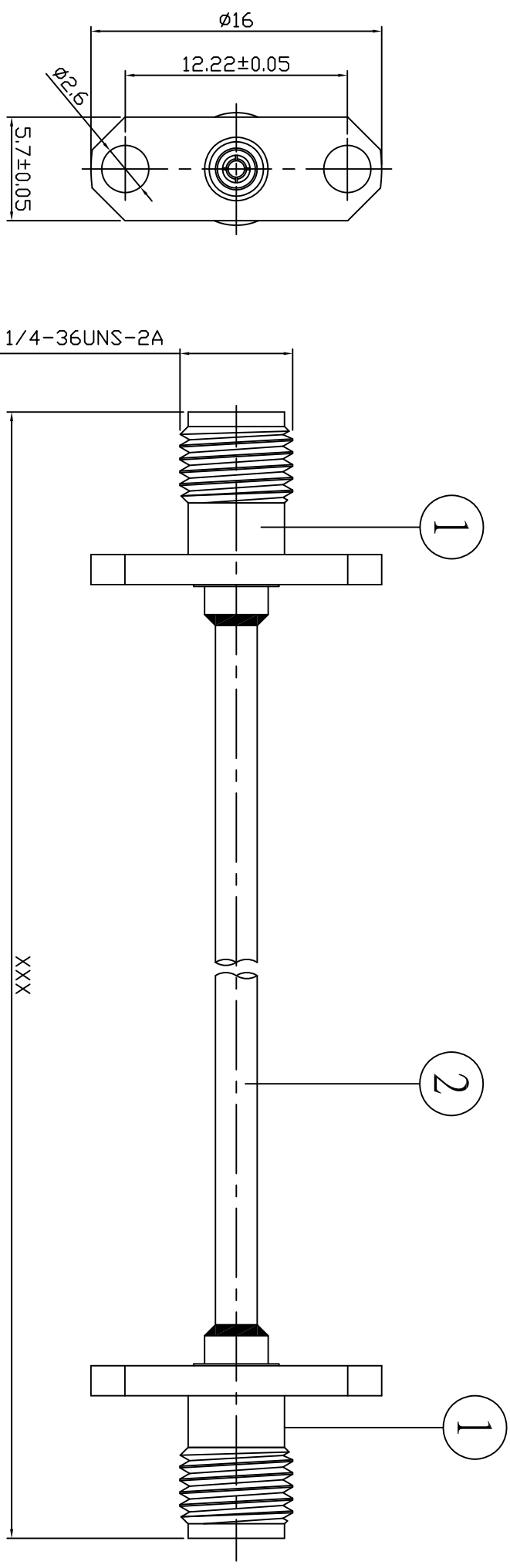


LENGTH (mm)	INSERTION LOSS	VSWR
100	≤ 0.75 dB	≤ 1.25
200	≤ 1.24 dB	≤ 1.25
300	≤ 1.73 dB	≤ 1.25

REVISION			
REV.	DESCRIPTION	DATE	APPROVED
-	INITIAL RELEASE	MAR/20/2020	



Frequency: DC - 26.5 GHz

2	RSR-085-Tinned	CABLE	-	mm
1	PC2EBT50-0085A/9X	3.5mm SOLDER JACK FOR PANEL 2-HOLE	1	EA
NO.	PARTS NO.	DESCRIPTION	QTY	U/M

DIMENSION ARE MILLIMETERS UNLESS OTHERWISE SPECIFIED TOLERANCES: (UNIT: MM)		CUSTOMER	REV	UNIT
10~30	± 1.5	Chin Fu Li	-	mm
30~200	± 1.0			
200~1000	± 2.5	APPROVED		
1000~	± 3.5	CHECKED		
		DRAWING		

ROSNOI
RF/Microwave Interconnect
www.rosnoi.com
info@rosnoi.com

DESCRIPTION
CABLE ASSEMBLY 3.5mm JACK FOR PANEL 2-HOLE

CUSTOMER DRAWING NO. Rosnoi DRAWING NO. PC2EBT50-RSR085TP-PC2EBT50-XXX