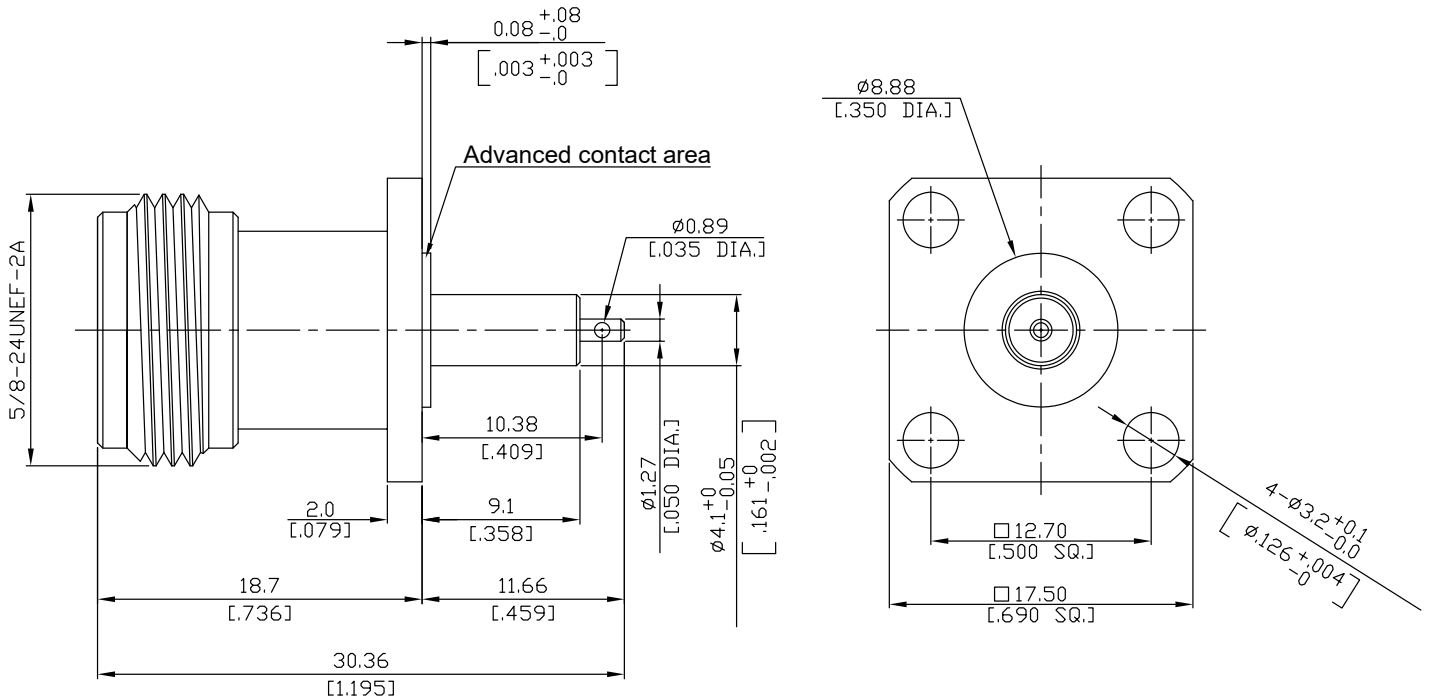




N Straight Panel Receptacle Jack
Low PIM

N2GFE50-3036C-LP/94



All dimensions are in mm [inch]
Tolerances according to DIN ISO 2768-mH

Interface

According to IEC 61169-16; CECC 22210; MIL-C-39012; MIL-STD-348A/304

Electrical Data

Impedance	50 Ω
Frequency	DC to 5 GHz
VSWR (Return Loss)	1.3 - 2.3GHz: ≤1.08 (≥28.30 dB) 4.4 - 5GHz: ≤1.10 (≥26.44 dB)
Insertion Loss	≤ 0.05 x √F (GHz) dB
Center Contact Resistance	≤ 1.0 mΩ
Outer Contact Resistance	≤ 1.0 mΩ
RF Leakage	≥ -90 dB
Voltage Rating	≥ 500 V rms
Dielectric Withstanding Voltage	≥1000 V rms (@ 60 Hz; sea level)
Power Handling	1.3 - 2.3GHz: Avg.: 250W/Peak: 400W 4.4 - 5GHz: Avg.: 150W/Peak: 200W
Insulation Resistance	≥ 5000 MΩ
PIM level	≥ -150 dBc

- Electrical specifications guaranteed for connector only -

Mechanical Data

Coupling Mechanisms	Screw-lock
Weight	N/A
Mating Cycles	≥ 500
Pin Slots	6 slot fingers
Center Contact Captivation	≥ 6.3 lbs (48 N)
Coupling Nut Mating Torque	≥ 8-10 lbs (0.90-1.13 N)

The facts and figures herein are carefully compiled to the best of our knowledge, but they are intended for general informational purposes only. In the effort to improve our products, we reserve the right to make changes judged to be necessary.

Rev.:	Rosnol RF/Microwave Technology www.rosnol.com ; info@rosnol.com	Page 1/2
Date: 19/11/10	Phone: +886-3-463-5095 / Fax: +886-3-463-5952 N-CAGE Code: SFKK0	

**N Straight Panel Receptacle Jack
Low PIM**

N2GFE50-3036C-LP/94

Environmental Data

Temperature Range	-40°C to +85°C
Altitude	Operating: 1,000 ft/Storage: 40,000 ft
RoHS	compliant
Humidity	MIL-STD-202, Method 103, Condition B
Vibration	MIL-STD-202, Method 204, Condition D
Shock	MIL-STD-202, Method 213, Condition I
Thermal Shock	MIL-STD-202, Method 107, Condition A-1
Salt Atmosphere	MIL-STD-202, Method 101E, Condition A

Material And Plating

Piece Parts	Material	Plating
Centre contact	Beryllium Copper	Gold plating (≥100 microinches; per MIL-G-45204; type I; grade C; class 2)
Body	Brass	Copper-Tin-Zinc Alloy
Insulator	PTFE	

Packing

Single or 100

Related Document

Mounting Dimension MD66