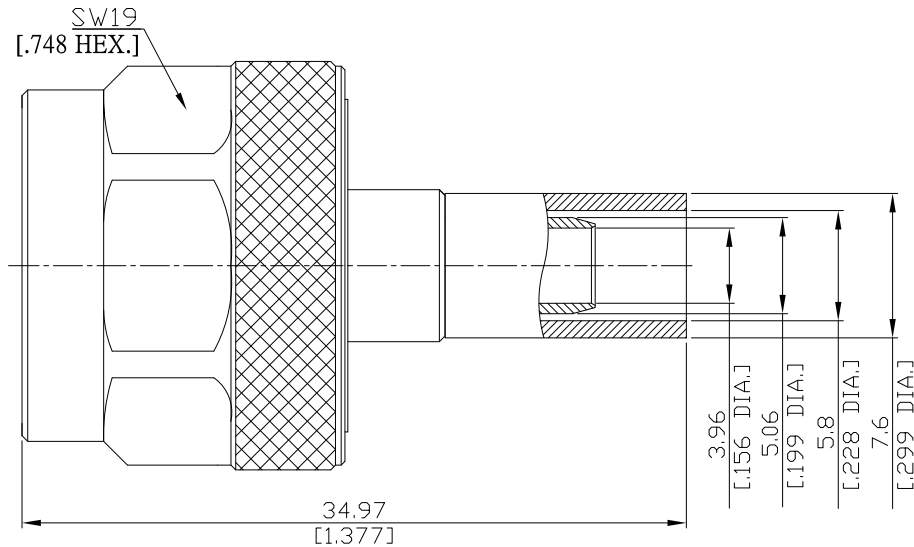


N Straight Cable Plug

N1C50-R195A/133



All dimensions are in mm [inch]

Tolerances according to DIN ISO 2768-mH

**Interface**

According to IEC 60169-16; MIL-C-39012; MIL-STD-348A/304

**Electrical Data**

Impedance 50 Ω  
Frequency DC to 18 GHz  
Frequency range  
Return loss

- Limitations are possible due to the used cable type -

**Mechanical Data**

Coupling mechanisms Screw-lock  
Centre contact Soldered or Crimped  
Cable entry Crimped

**Environmental Data**

Temperature range -65°C to +165°C  
RoHS compliant

**Material And Plating**

Connector parts	Material	Plating
Centre contact	Brass	Gold plating(Nickel underplated)
Body	Brass	Nickel
Insulator	PTFE	
Gasket	Silicone Rubber	
Coupling nut	Brass	Nickel
Crimp ferrules	Brass	Nickel

**Suitable Cables**

RG-58, RG-58A, RG-58C, RG-141, RG-303, Belden 7806A, Belden 9907, LMR-195

**Packing**

Single or 100