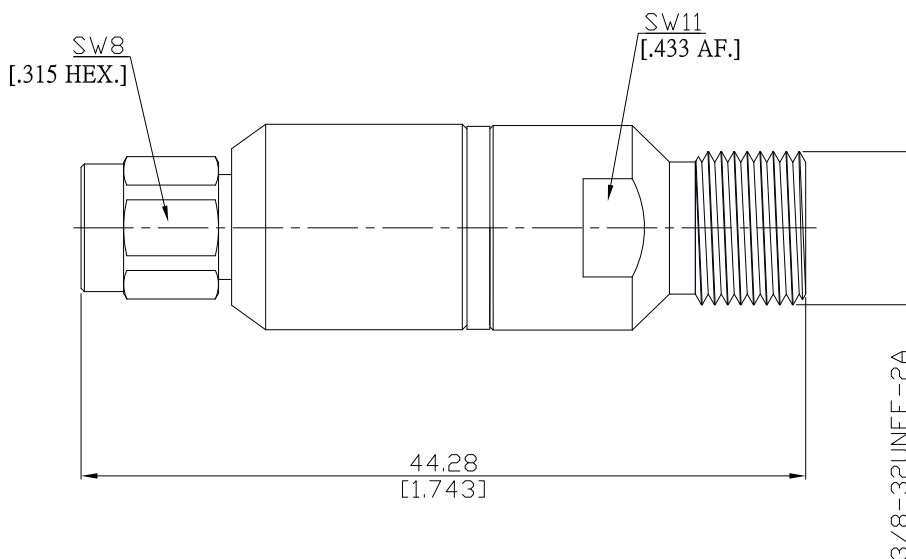


Impedance Matching Pads plug/jack
SMA 50 Ω plug (male) / F 75 Ω jack (female)

MP-A15F27A-2G/H44-H4



All dimensions are in mm [inch]

Tolerances according to DIN ISO 2768-mH

Interface

SMA side according to

IEC 60169-15; MIL-STD-348B/310

F side according to

IEC 61169-24

Electrical Data

Impedance

SMA - 50 Ω / F - 75 Ω

Frequency

DC to 2 GHz

VSWR (Return loss)

≤ 1.25 (≥ 19.08 dB)

Attenuation

5.7 ± 0.5 dB

Power Rating

0.7 Watt Avg to +40°C

Linearly derated to 0 Watt at +125 °C

Mechanical Data

Coupling mechanisms

SMA (Screw-lock); F (Screw-lock)

Weight

N/A

Environmental Data

RoHS

compliant

Material And Plating

Piece Parts (SMA)	Material	Plating
Centre contact	Phosphor Bronze	Gold plating(Nickel underplated)
Body	Brass	Copper-Tin-Zinc Alloy
Insulator	PTFE	
Gasket	Silicone Rubber	
Coupling nut	Brass	Copper-Tin-Zinc Alloy
Piece Parts (F)	Material	Plating
Centre contact	Phosphor Bronze	Gold plating(Nickel underplated)
Body	Brass	Copper-Tin-Zinc Alloy
Insulator	PTFE	

Packing

Single or 100